

ISX Modular Power Distribution Unit

1. SYSTEM MAINS SUPPLY RATING

Mains voltage : 3/N/PE-400V/230V, 47-63Hz
Control Voltage : 24V at 50Hz
Short-circuit current Icc : 10 kA
Feed : Single

2. SYSTEM EARTHING

The system earthing is TN-S with L1,L2,L3,N,PE at both inlets and outlets

3. STANDARDS

The ISX PDU is built according to : IEC/EN60950

4. ENVIRONMENTS

The assembly is made for an ambient temperature of : Max: +40°C

5. ENCLOSURE

The enclosure of the assembly is : IP20 and Form 1
The assembly material is : Steel with Surface coating

6. POSITIONING

The assembly is made for indoor installation on floor

7. DIMENSIONS AND WEIGHTS

Height : 219 mm
Width : 483 mm
Depth : 711 mm
Weight : 30.14 kg

8. CABLE ENTRIES

Inlets: Top Bottom Sides

Outlets: Top Bottom Sides

9. CONNECTIONS

Power Circuits :
Input Output
 Component terminals
 Busbar

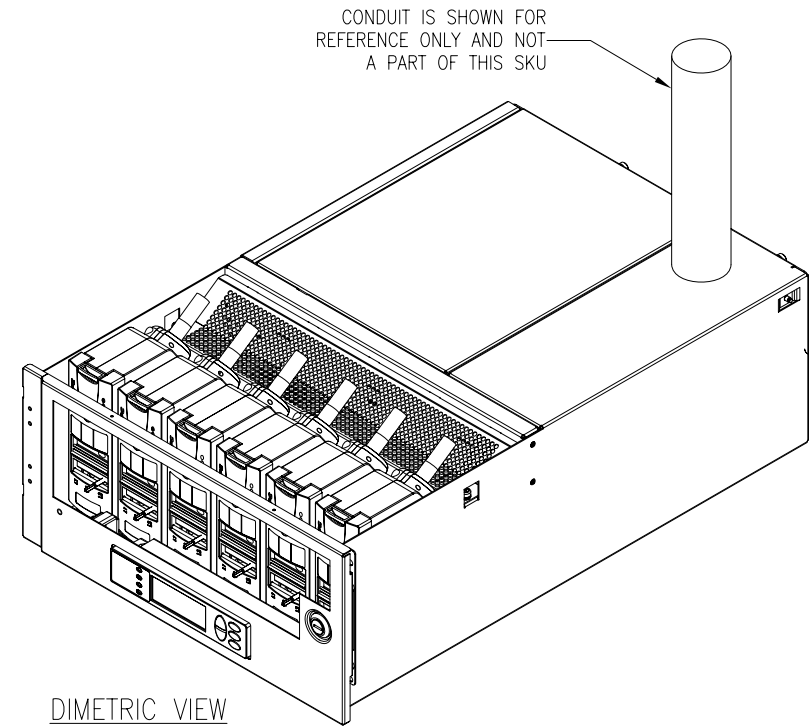
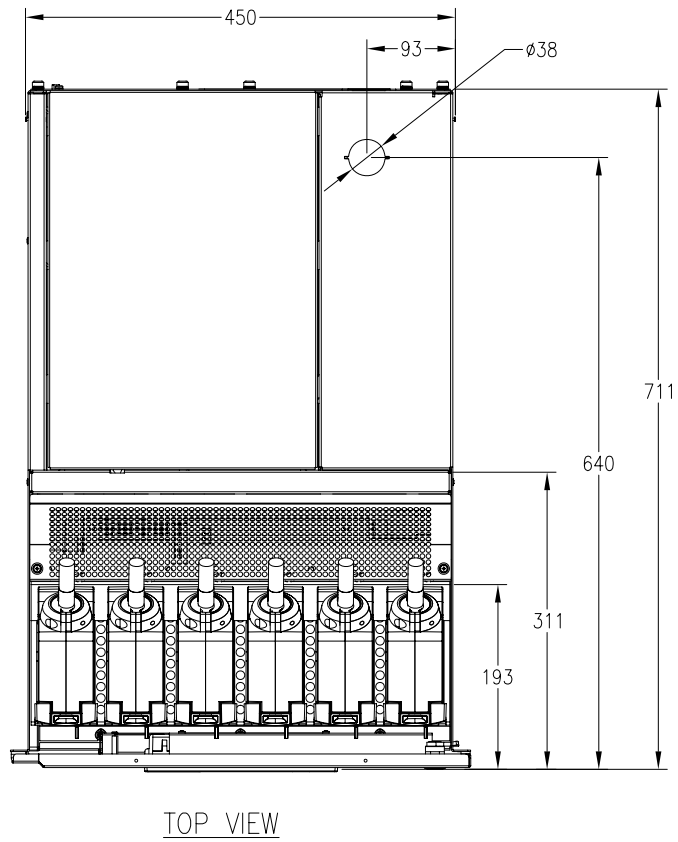
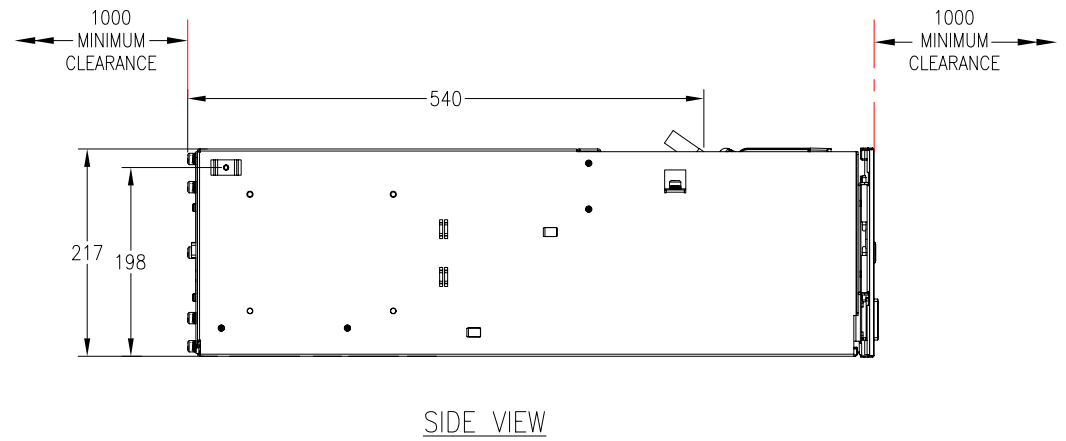
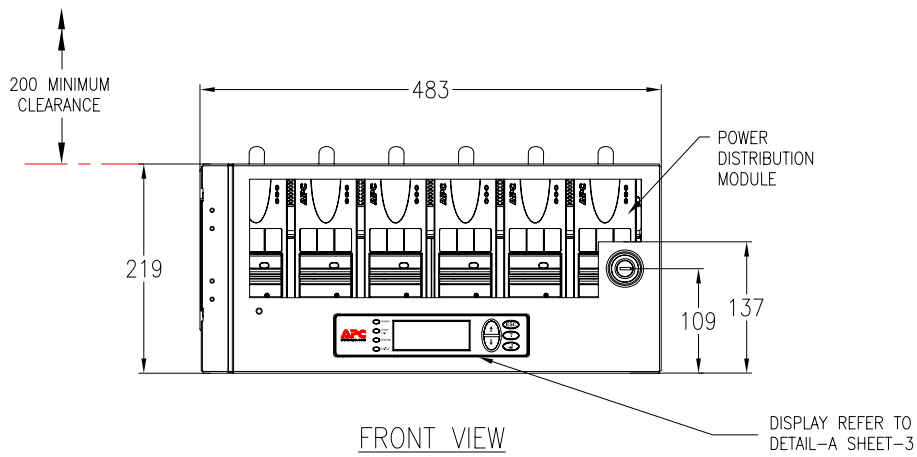
Control Circuits :
 Terminals

THIS DRAWING AND SPECIFICATIONS HEREIN ARE THE PROPERTY OF SCHNEIDER ELECTRIC AND SHALL NOT BE COPIED, REPRODUCED OR USED IN WHOLE OR IN PART, AS THE BASIS FOR THE MANUFACTURE OR SALE OF ITEMS WITHOUT WRITTEN PERMISSION FROM SCHNEIDER ELECTRIC. THIS DRAWING IS BASED UPON LATEST AVAILABLE INFORMATION AND IS SUBJECT TO CHANGE WITHOUT NOTICE.



TITLE: MODULAR RACKMOUNTED POWER DISTRIBUTION UNIT 5U
INPUT: 400VAC 3PH 50Hz
OUTPUT: 138kW 200A MAX 400/230VAC 18 POLES
SPECIFICATIONS
PROJECT: SUBMITTAL DRAWINGS SHEET 1 OF 4

DWG NO:	PDPM138H-5U		REV:	0
DRAWN:	C KRISHNA	20-APR-09	ANGLE OF PROJECTION	N.A.
ENGINEER:	M.LEPARD	21-FEB-11		
APPROVED:	C.LARSEN/S.WAGH/E.SILVA	21-FEB-11		



NOTES:

1. INSTALLATION SHALL COMPLY WITH NATIONAL AND LOCAL ELECTRICAL REGULATIONS.
2. PLEASE REFER TO APC PRODUCT MANUALS FOR ADDITIONAL DETAILS.
3. ALL DIMENSIONS ARE IN MILLIMETERS.
4. CABLE ENTRY IS FROM TOP OF UNIT.
5. FRONT, AND REAR ACCESS ARE REQUIRED FOR SERVICE.
6. WEIGHT OF THE UNIT IS 30.14 kgs. WITHOUT POWER DISTRIBUTION MODULES.

THIS DRAWING AND SPECIFICATIONS HEREIN ARE THE PROPERTY OF SCHNEIDER ELECTRIC AND SHALL NOT BE COPIED, REPRODUCED OR USED IN WHOLE OR IN PART, AS THE BASIS FOR THE MANUFACTURE OR SALE OF ITEMS WITHOUT WRITTEN PERMISSION FROM SCHNEIDER ELECTRIC. THIS DRAWING IS BASED UPON LATEST AVAILABLE INFORMATION AND IS SUBJECT TO CHANGE WITHOUT NOTICE.



TITLE:
MODULAR RACKMOUNTED POWER DISTRIBUTION UNIT 5U
INPUT: 400VAC 3PH 50Hz
OUTPUT: 138kW 200A MAX 400/230VAC 18 POLES
MAIN MECHANICAL

PROJECT: SUBMITTAL DRAWINGS SHEET 2 OF 4

DWG NO: PDPM138H-5U

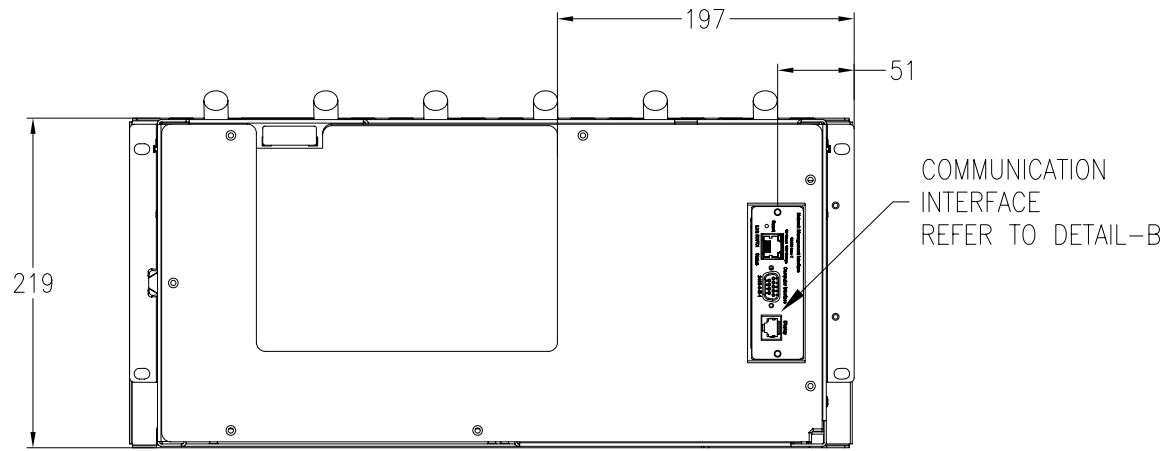
DRAWN: C KRISHNA 20-APR-09

ENGINEER: M.LEPARD 21-FEB-11

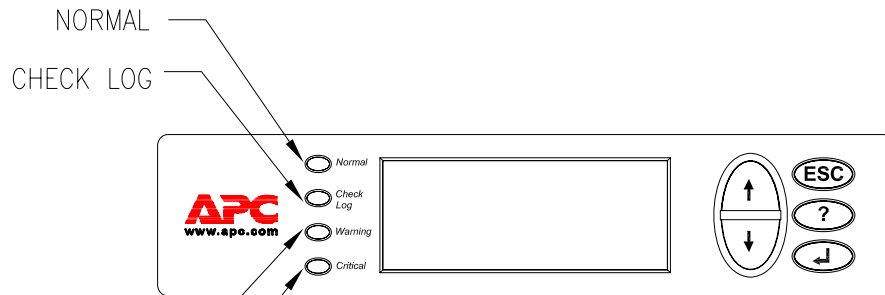
APPROVED: C.LARSEN/S.WAGH/E.SILVA 21-FEB-11

REV: 0

FIRST ANGLE PROJECTION



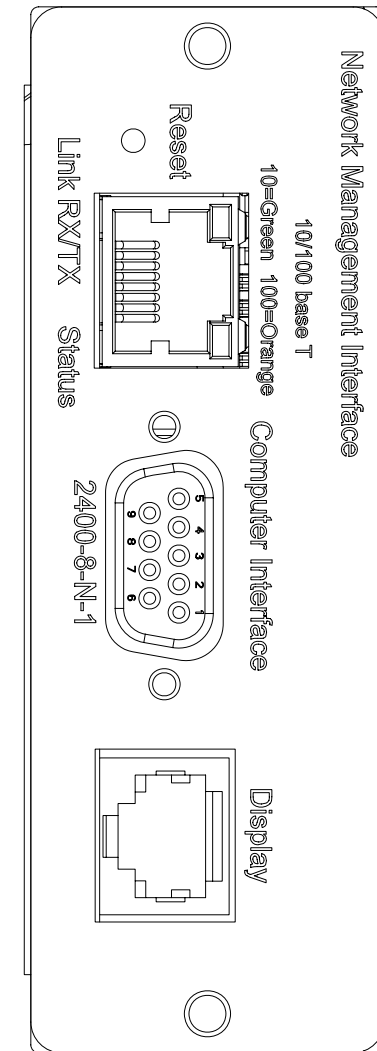
REAR VIEW



WARNING

CRITICAL

DETAIL-A (DISPLAY)



DETAIL-B (COMMUNICATION INTERFACE)

NOTES:

1. INSTALLATION SHALL COMPLY WITH NATIONAL AND LOCAL ELECTRICAL REGULATIONS.
2. PLEASE REFER TO APC PRODUCT MANUALS FOR ADDITIONAL DETAILS.
3. ALL DIMENSIONS ARE IN MILLIMETERS.

THIS DRAWING AND SPECIFICATIONS HEREIN ARE THE PROPERTY OF SCHNEIDER ELECTRIC AND SHALL NOT BE COPIED, REPRODUCED OR USED IN WHOLE OR IN PART, AS THE BASIS FOR THE MANUFACTURE OR SALE OF ITEMS WITHOUT WRITTEN PERMISSION FROM SCHNEIDER ELECTRIC. THIS DRAWING IS BASED UPON LATEST AVAILABLE INFORMATION AND IS SUBJECT TO CHANGE WITHOUT NOTICE.



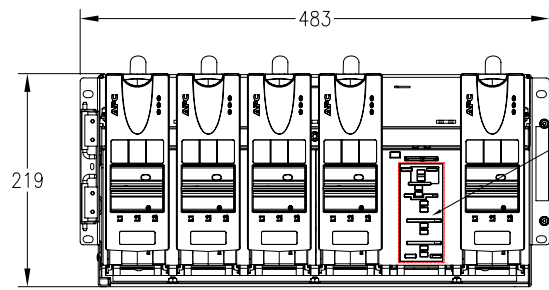
TITLE:
MODULAR RACKMOUNTED POWER DISTRIBUTION UNIT 5U
INPUT: 400VAC 3PH 50HZ
OUTPUT: 138kW 200A MAX 400/230VAC 18 POLES
USER INTERFACE CONNECTION DETAILS

DWG NO: PDPM138H-5U REV. 0

DRAWN: C KRISHNA 20-APR-09 FIRST ANGLE PROJECTION

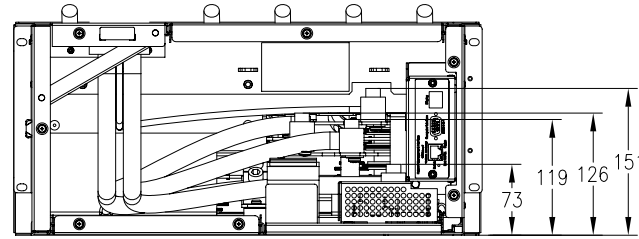
ENGINEER: MLEPARD 21-FEB-11
APPROVED: CLARSEN/S.WAGH/ESILVA 21-FEB-11

PROJECT: SUBMITTAL DRAWINGS SHEET 3 OF 4

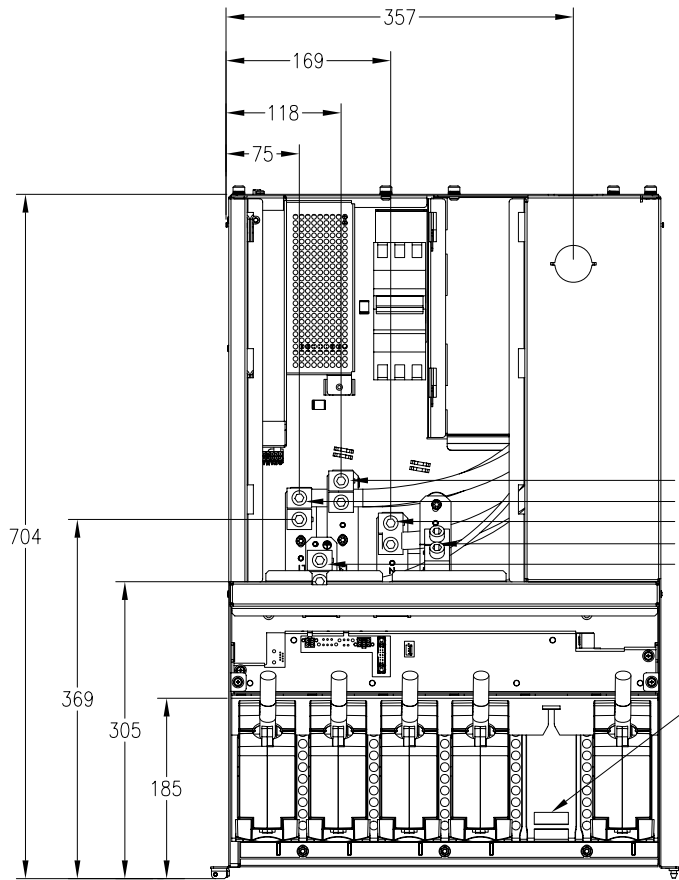


FRONT VIEW

BUSBARS SEE
DETAIL-A FOR
ENLARGED VIEW



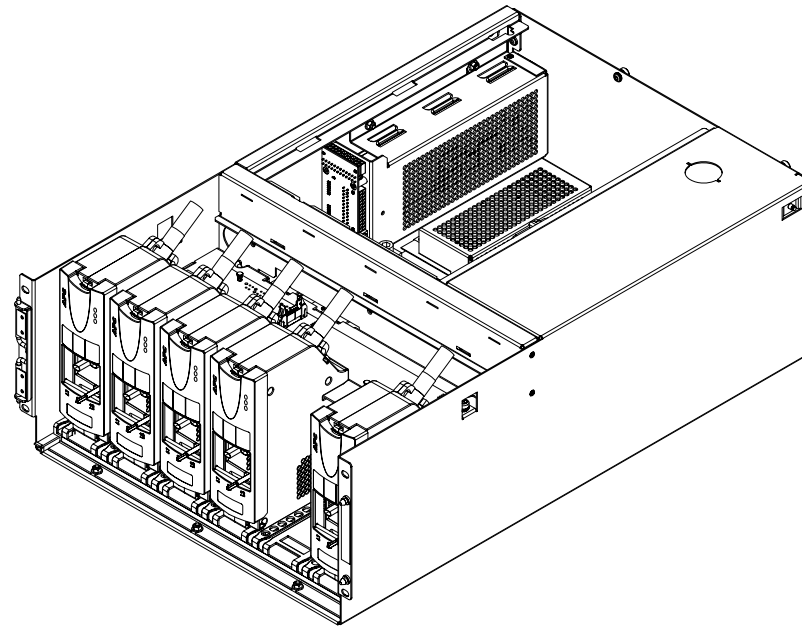
REAR VIEW



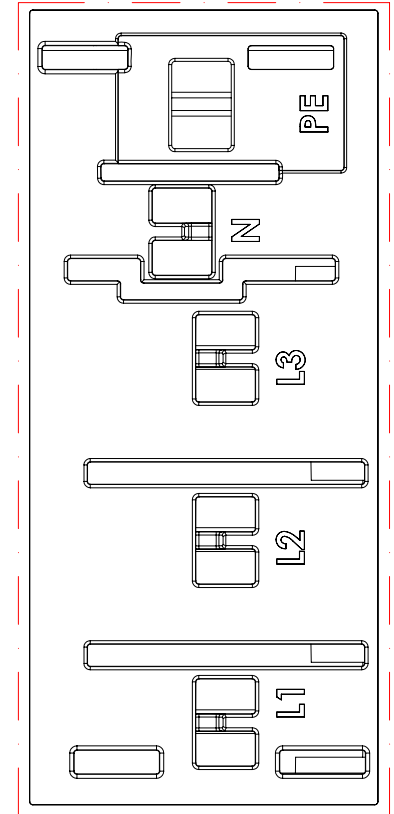
TOP VIEW

L3
L1
(INPUT
CONNECTIONS)
N
L2
PE

MODULE
MOUNTING
SLOT



ISOMETRIC VIEW



DETAIL-A
BUSBARS
(ENLARGED VIEW)

NOTES:

1. INSTALLATION SHALL COMPLY WITH NATIONAL AND LOCAL ELECTRICAL REGULATIONS.
2. PLEASE REFER TO APC PRODUCT MANUALS FOR ADDITIONAL DETAILS.
3. ALL DIMENSIONS ARE IN MILLIMETERS.
4. ALL POWER DISTRIBUTION MODULES AND EXTENDER CABLES ARE NOT PART OF THIS SKU AND ARE ORDERED SEPARATELY. PLEASE CONTACT APC.
5. CONNECTION DETAILS SHOWN ARE TYPICAL. REFER TO SLD FOR DETAILS.
6. SOME STRUCTURAL DETAILS HAVE BEEN OMITTED FOR CLARITY.

THIS DRAWING AND SPECIFICATIONS HEREIN ARE THE PROPERTY OF SCHNEIDER ELECTRIC AND SHALL NOT BE COPIED, REPRODUCED OR USED IN WHOLE OR IN PART, AS THE BASIS FOR THE MANUFACTURE OR SALE OF ITEMS WITHOUT WRITTEN PERMISSION FROM SCHNEIDER ELECTRIC. THIS DRAWING IS BASED UPON LATEST AVAILABLE INFORMATION AND IS SUBJECT TO CHANGE WITHOUT NOTICE.



TITLE:
MODULAR RACKMOUNTED POWER DISTRIBUTION UNIT 5U
INPUT: 400VAC 3PH 50HZ
OUTPUT: 138KW 200A MAX 400/230VAC 18 POLES
INTERNAL VIEWS AND INPUT CONNECTION DETAILS

PROJECT: SUBMITTAL DRAWINGS SHEET 4 OF 4

DWG NO: PDPM138H-5U

DRAWN: C KRISHNA 20-APR-09

ENGINEER: M LEPARD 21-FEB-11

APPROVED: C LARSEN/S WAGH/E SILVA 21-FEB-11

REV: 0

ANGLE OF PROJECTION
PROJECTION