

- NOTES:**
1. INSTALLATION SHALL COMPLY WITH ALL APPLICABLE NATIONAL, STATE AND LOCAL ELECTRICAL REGULATIONS.
 2. REFER TO PRODUCT DOCUMENTATION FOR ADDITIONAL DETAILS PRIOR TO INSTALLATION AND SITE PREPARATION WORK.
 3. ALL DIMENSIONS ARE IN MILLIMETERS [INCHES].
 4. NET WEIGHT OF UNIT IS 134Kg [295 lb].
 5. CABLE ENTRY IS TOP OR BOTTOM OF THE UNIT.
 6. FRONT AND REAR SERVICE ACCESS REQUIRED.
 7. AIR FLOW AND SERVICE REQUIREMENTS, AS WELL AS MINIMUM CLEARANCE TO FIRE SUPPRESSION SYSTEMS SHOULD BE CONSIDERED WHEN LOCATING THE ENCLOSURE.

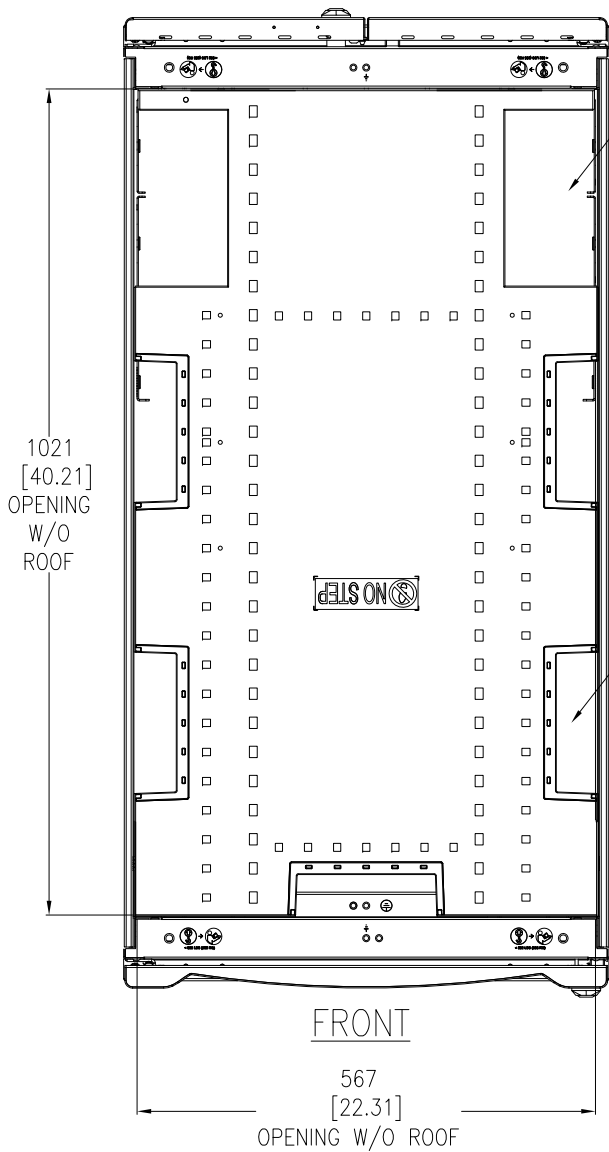
THIS DRAWING AND SPECIFICATIONS HEREIN ARE THE PROPERTY OF SCHNEIDER ELECTRIC AND SHALL NOT BE COPIED, REPRODUCED OR USED IN WHOLE OR IN PART, AS THE BASIS FOR THE MANUFACTURE OR SALE OF ITEMS WITHOUT WRITTEN PERMISSION FROM SCHNEIDER ELECTRIC. THIS DRAWING IS BASED UPON LATEST AVAILABLE INFORMATION AND IS SUBJECT TO CHANGE WITHOUT NOTICE.



TITLE: NetShelter SX 42U ENCLOSURE WITH SIDES 600mm WIDE x 1200mm DEEP MAIN MECHANICAL

PROJECT: SUBMITTAL DRAWINGS SHEET 1 OF 4

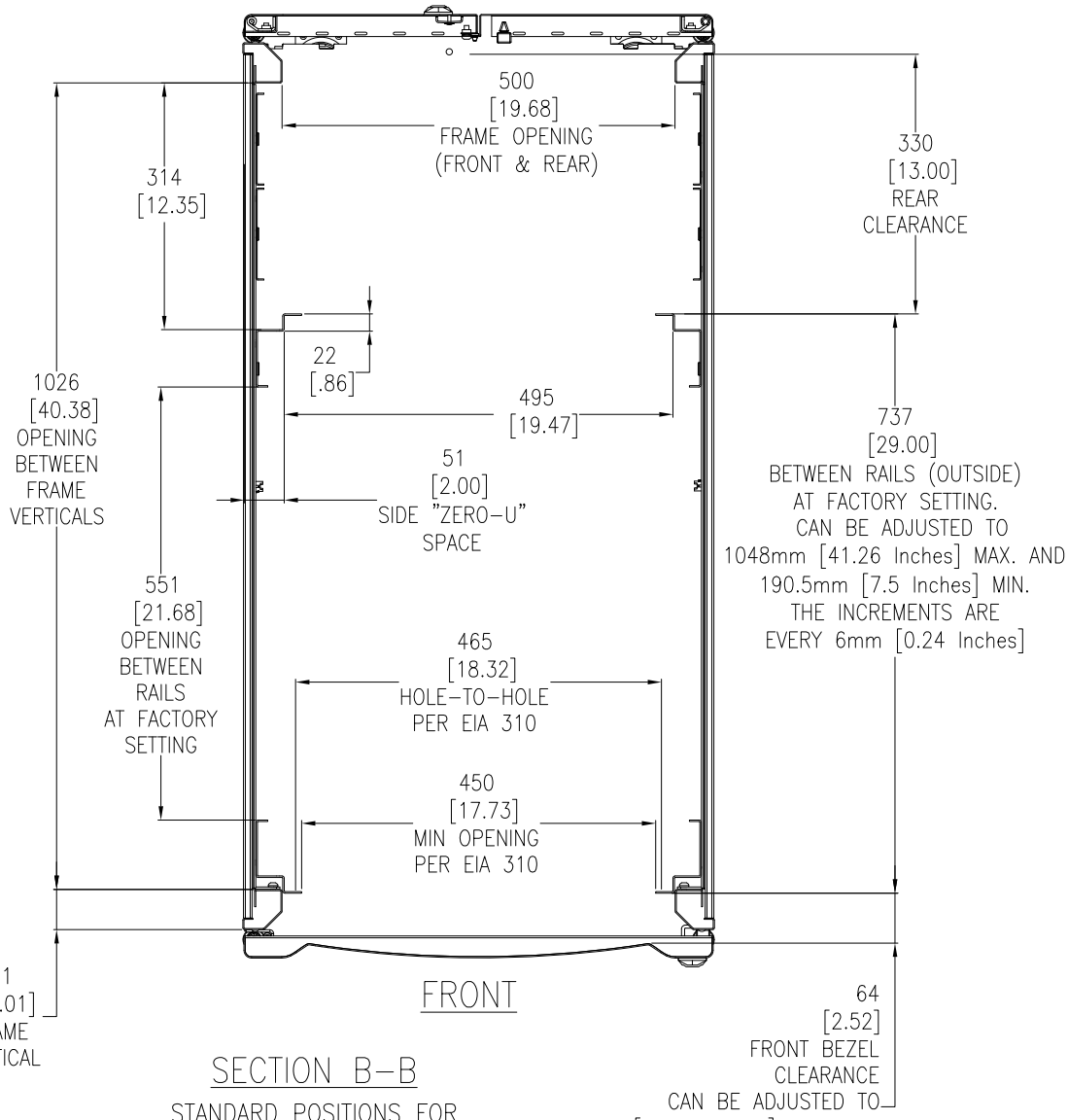
DWG NO:	AR3300		REV:	4
DRAWN BY:	JAYAPRAKASH	15-JUN-17	FIRST	
ENGINEER:	JIE ZHU	15-JUN-17	ANGLE	
APPROVED BY:	GREG IVEY	15-JUN-17	PROJ	



TOP VIEW
CABLE OPENINGS
(COVERS REMOVED)

220 [8.66] x 117 [4.61]
OPENING (2 PLACES)
BRUSHES ARE INCLUDED
AT EACH OF THE 2
OPENINGS.

171 [6.73] x 51 [2.02]
OPENING (5 PLACES)
BRUSHES ARE INCLUDED
AT EACH OF THE 5
OPENINGS.



SECTION B-B
STANDARD POSITIONS FOR
MOUNTING RAILS AND
THEIR ADJUSTABILITY
(LOOKING DOWN)

64 [2.52]
FRONT BEZEL
CLEARANCE
CAN BE ADJUSTED TO
915mm [36.02 Inches] MAX. AND
57.8mm [2.28 Inches] MIN.
THE INCREMENTS
ARE EVERY 6mm [0.24 Inches]

NOTES:

1. INSTALLATION SHALL COMPLY WITH ALL APPLICABLE NATIONAL, STATE AND LOCAL ELECTRICAL REGULATIONS.
2. REFER TO PRODUCT DOCUMENTATION FOR ADDITIONAL DETAILS PRIOR TO INSTALLATION AND SITE PREPARATION WORK.
3. ALL DIMENSIONS ARE IN MILLIMETERS [INCHES].

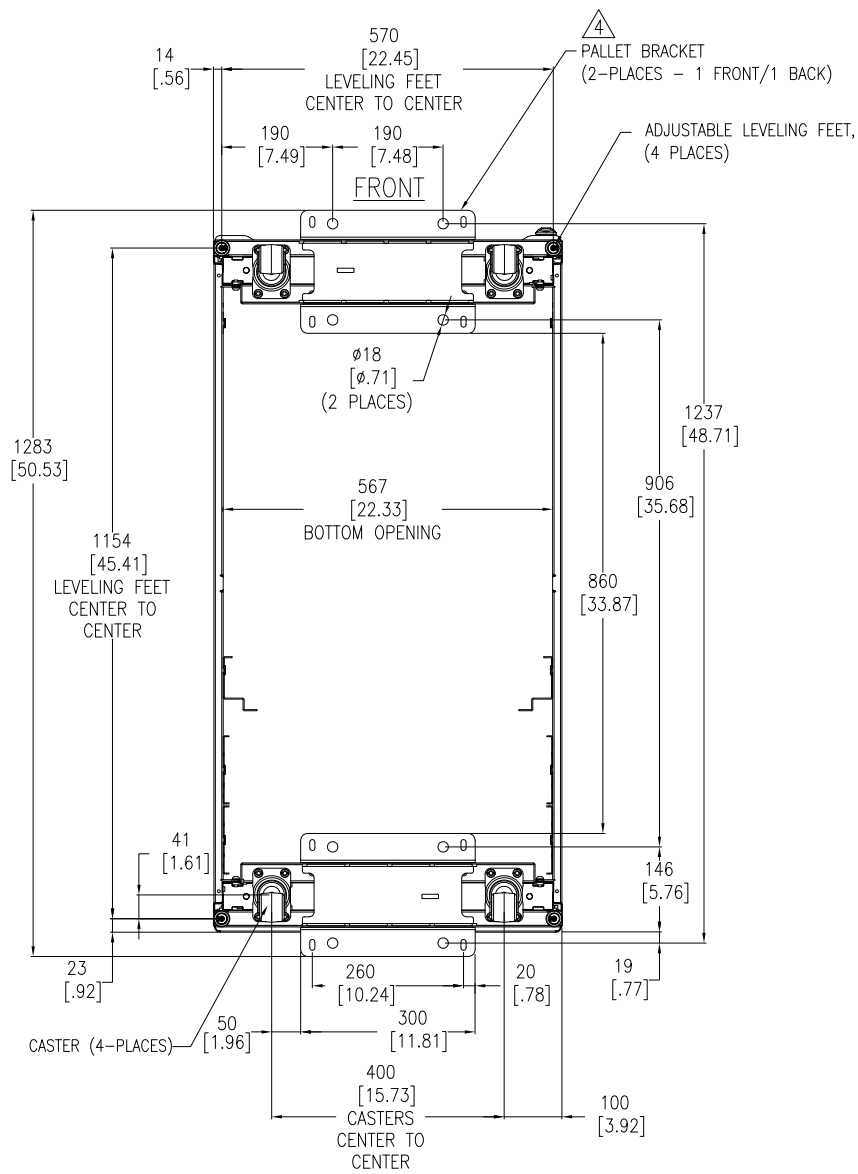
THIS DRAWING AND SPECIFICATIONS HEREIN ARE THE PROPERTY OF SCHNEIDER ELECTRIC AND SHALL NOT BE COPIED, REPRODUCED OR USED IN WHOLE OR IN PART, AS THE BASIS FOR THE MANUFACTURE OR SALE OF ITEMS WITHOUT WRITTEN PERMISSION FROM SCHNEIDER ELECTRIC. THIS DRAWING IS BASED UPON LATEST AVAILABLE INFORMATION AND IS SUBJECT TO CHANGE WITHOUT NOTICE.



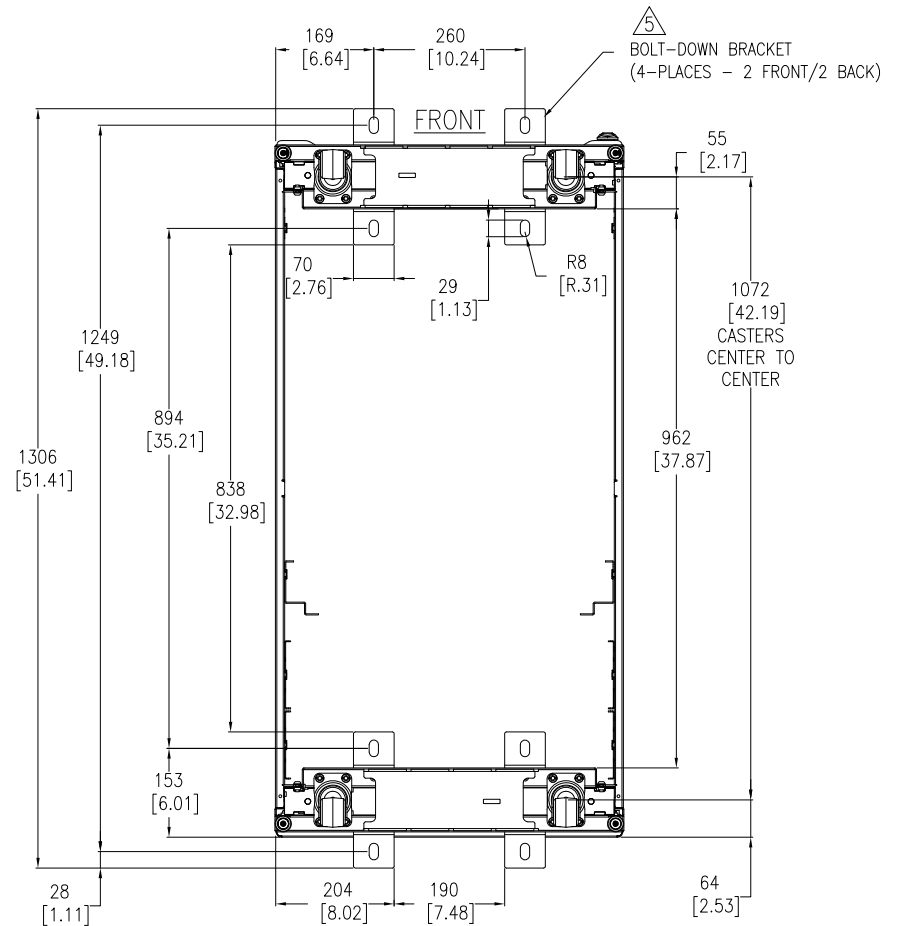
TITLE: NetShelter SX 42U
ENCLOSURE WITH SIDES
600mm WIDE x 1200mm DEEP
TOP AND SECTION VIEWS

PROJECT: SUBMITTAL DRAWINGS SHEET 2 OF 4

DWG NO:	AR3300		REV.	5
DRAWN BY:	JAYAPRAKASH	15-JUN-17	FIRST	
ENGINEER:	JIE ZHU	15-JUN-17	ANGLE	
APPROVED BY:	GREG IVEY	15-JUN-17	PROJ	



BOTTOM VIEW
(WITH PALLET BRACKETS, CAN BE USED FOR ANCHORING)
TOP ROOF NOT SHOWN



BOTTOM VIEW
(WITH OPTIONAL BOLT-DOWN BRACKETS FOR ANCHORING)
TOP ROOF NOT SHOWN

NOTES:

1. INSTALLATION SHALL COMPLY WITH ALL APPLICABLE NATIONAL, STATE AND LOCAL ELECTRICAL REGULATIONS.
2. REFER TO PRODUCT DOCUMENTATION FOR ADDITIONAL DETAILS PRIOR TO INSTALLATION AND SITE PREPARATION WORK.
3. ALL DIMENSIONS ARE IN MILLIMETERS [INCHES].
- △4. ANCHORING CAN BE INSTALLED EITHER INSIDE OR OUTSIDE THE NetShelter WITH ONE AT FRONT AND ONE IN BACK.
- △5. BOLT-DOWN KIT (SKU# AR7701) IS OPTIONAL AND HAS TO BE ORDERED SEPARATELY.

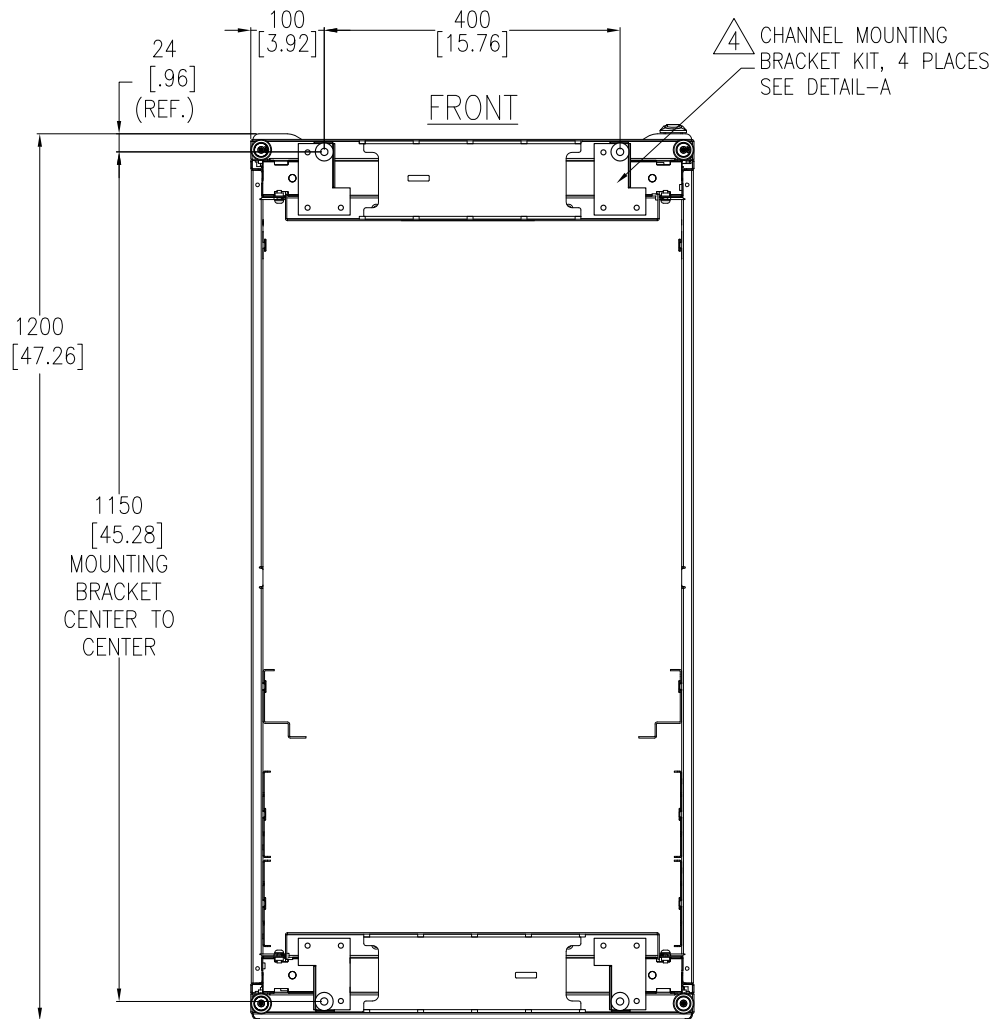
THIS DRAWING AND SPECIFICATIONS HEREIN ARE THE PROPERTY OF SCHNEIDER ELECTRIC AND SHALL NOT BE COPIED, REPRODUCED OR USED IN WHOLE OR IN PART, AS THE BASIS FOR THE MANUFACTURE OR SALE OF ITEMS WITHOUT WRITTEN PERMISSION FROM SCHNEIDER ELECTRIC. THIS DRAWING IS BASED UPON LATEST AVAILABLE INFORMATION AND IS SUBJECT TO CHANGE WITHOUT NOTICE.



TITLE: NetShelter_SX 42U
ENCLOSURE WITH SIDES
600mm WIDE x 1200mm DEEP
BOTTOM VIEWS

DWG NO:	AR3300		REV.	4
DRAWN BY:	JAYAPRAKASH	15-JUN-17	FIRST	ANGLE
ENGINEER:	JIE ZHU	15-JUN-17	PROJ	
APPROVED BY:	GREG IVEY	15-JUN-17		

PROJECT: SUBMITTAL DRAWINGS SHEET 3 OF 4



BOTTOM VIEW
(WITH CHANNEL MOUNTING BRACKET KIT)

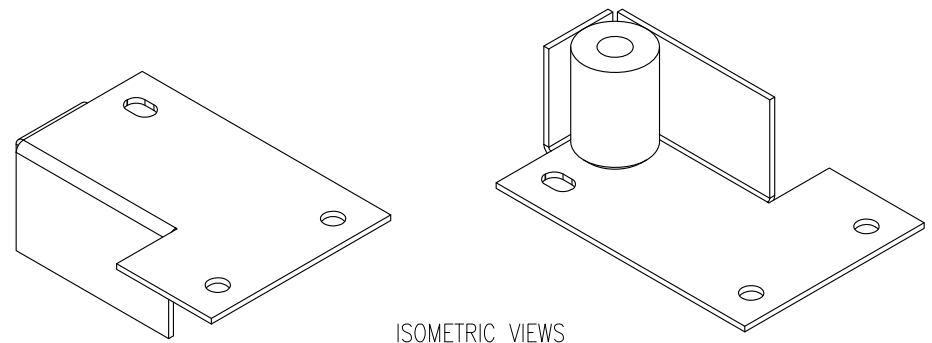
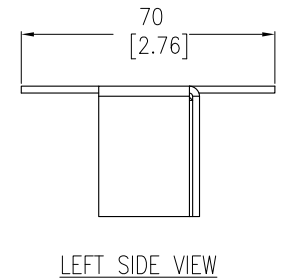
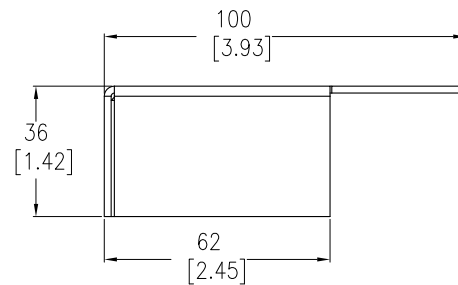
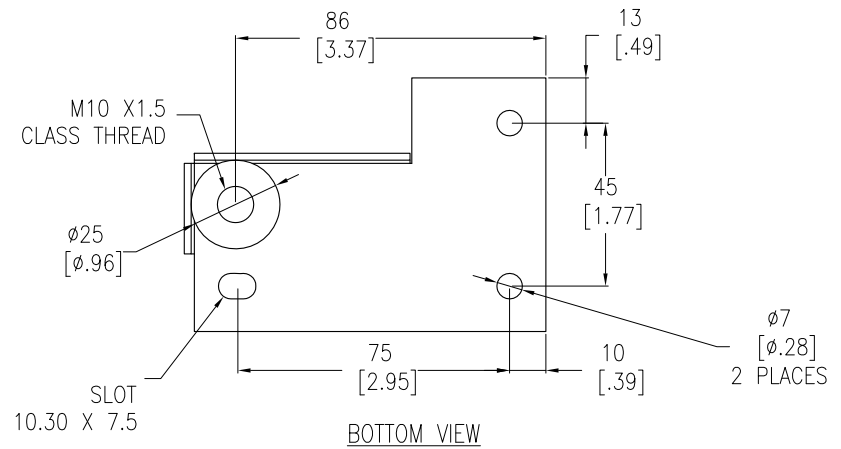
NOTES:

1. INSTALLATION SHALL COMPLY WITH ALL APPLICABLE NATIONAL, STATE AND LOCAL ELECTRICAL REGULATIONS.
 2. REFER TO INSTALLATION MANUAL: 990-2912 FOR CHANNEL BRACKET INSTALLATION DETAILS..
 3. ALL DIMENSIONS ARE IN MILLIMETERS [INCHES].
- △ 4. CHANNEL MOUNTING BRACKET KIT (SKU# AR7709) IS OPTIONAL AND HAS TO BE ORDERED SEPARATELY.

THIS DRAWING AND SPECIFICATIONS HEREIN ARE THE PROPERTY OF SCHNEIDER ELECTRIC AND SHALL NOT BE COPIED, REPRODUCED OR USED IN WHOLE OR IN PART, AS THE BASIS FOR THE MANUFACTURE OR SALE OF ITEMS WITHOUT WRITTEN PERMISSION FROM SCHNEIDER ELECTRIC. THIS DRAWING IS BASED UPON LATEST AVAILABLE INFORMATION AND IS SUBJECT TO CHANGE WITHOUT NOTICE.



DETAIL-A
CHANNEL MOUNTING BRACKET KIT
(AR7709)



TITLE: NetShelter_SX 42U ENCLOSURE WITH SIDES 600mm WIDE x 1200mm DEEP BOTTOM VIEW WITH CHANNEL MOUNTING BRACKET KIT

DWG NO:	AR3300	REV:	0
DRAWN BY:	JAYAPRAKASH	15-JUN-17	FIRST
ENGINEER:	JIE ZHU	15-JUN-17	ANGLE
APPROVED BY:	GREG IVEY	15-JUN-17	PROJ