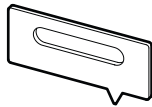
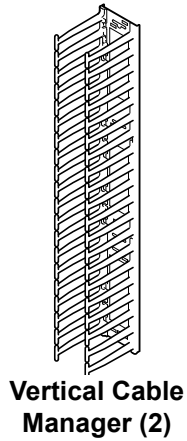


Vertical Cable Manager for NetShelter™ SX 750 mm 42U Cabinet

AR7580A

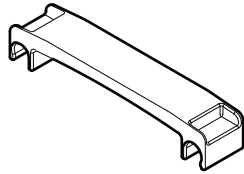
Inventory



Support Plate (1)



6 mm Screw (5)



Retaining Strap (6)

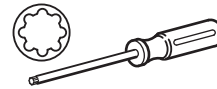


Spacer (4)

Tools required
(not provided)



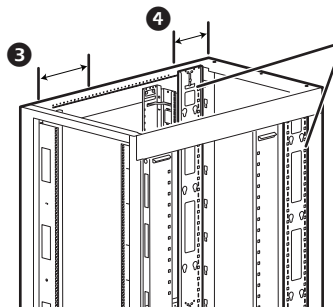
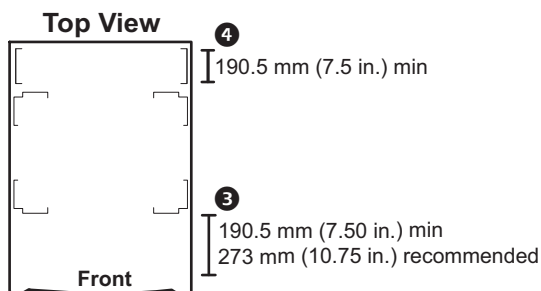
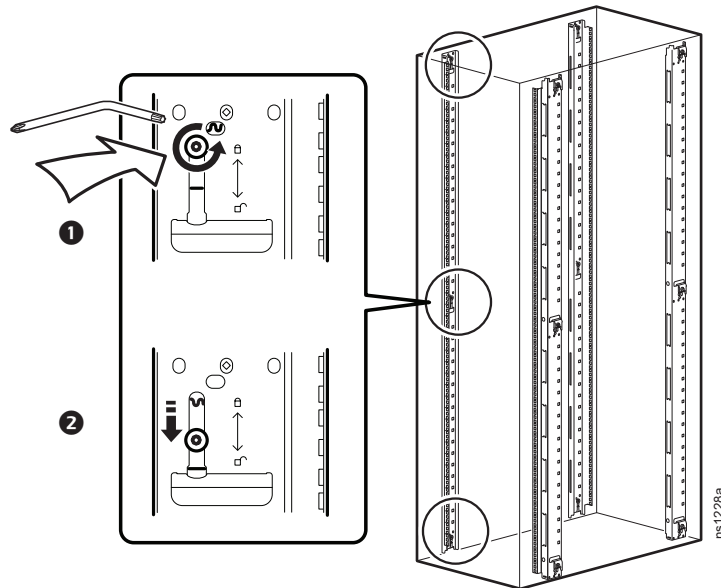
Phillips Screwdriver



TORX® T30/#2

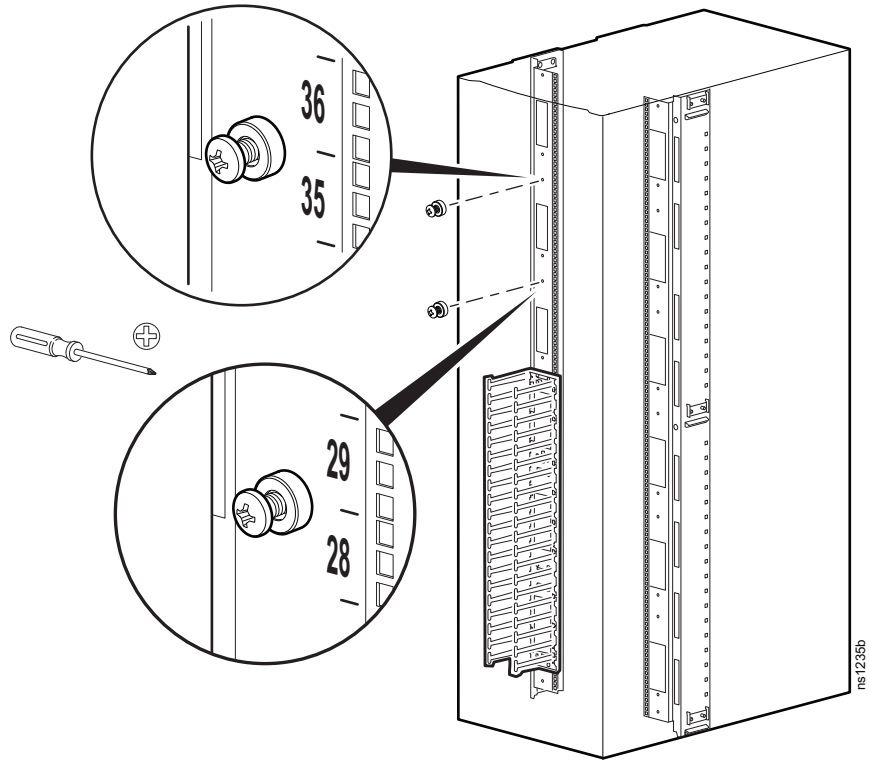
NOTE: For use with AR3150 and AR3350.

Preparation

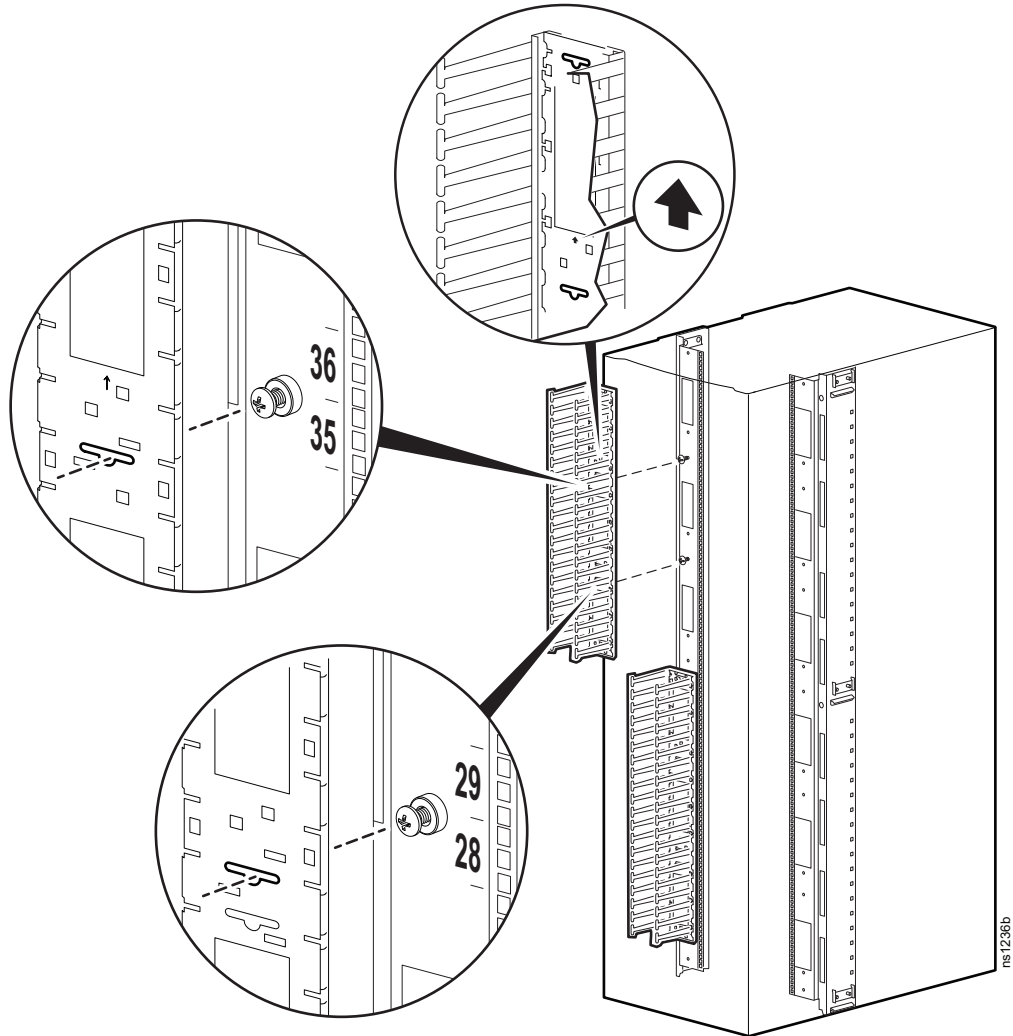


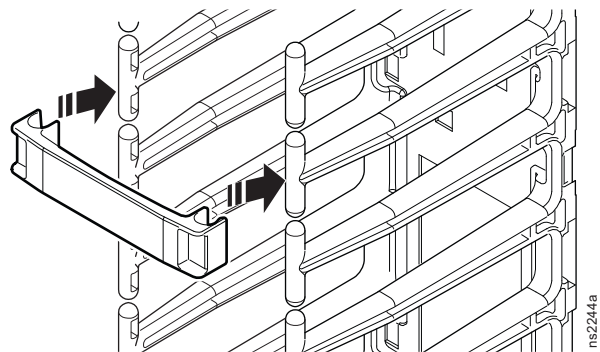
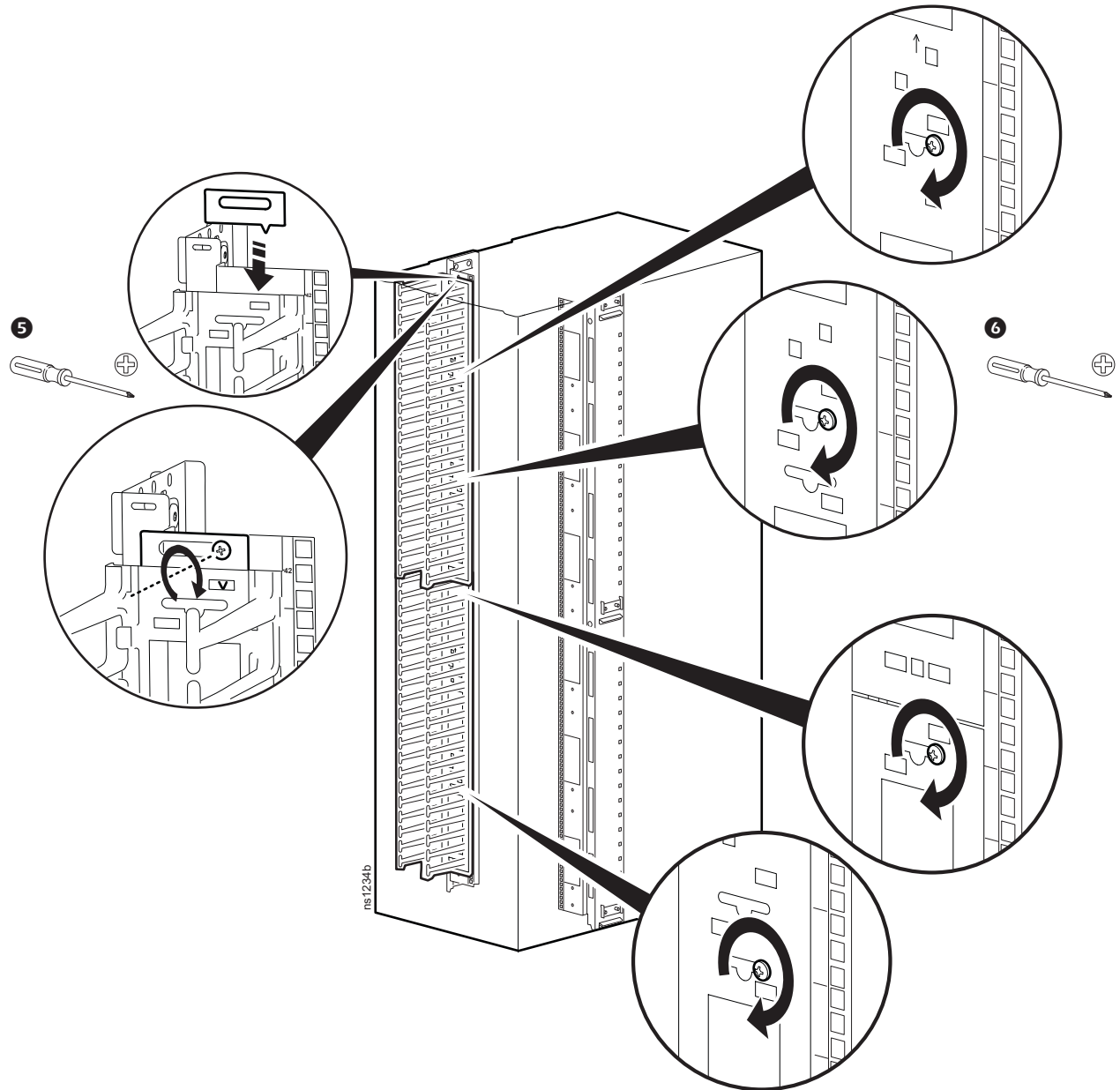
NOTE: Move or remove the vertical 0U Accessory Channel for rear of cabinet installation.

3



4





Customer support and warranty information is available at www.schneider-electric.com.
 © 2016 Schneider Electric. All Rights Reserved. NetShelter is a trademark owned by Schneider Electric, S.A.S.

990-3315B-001
 1/2016