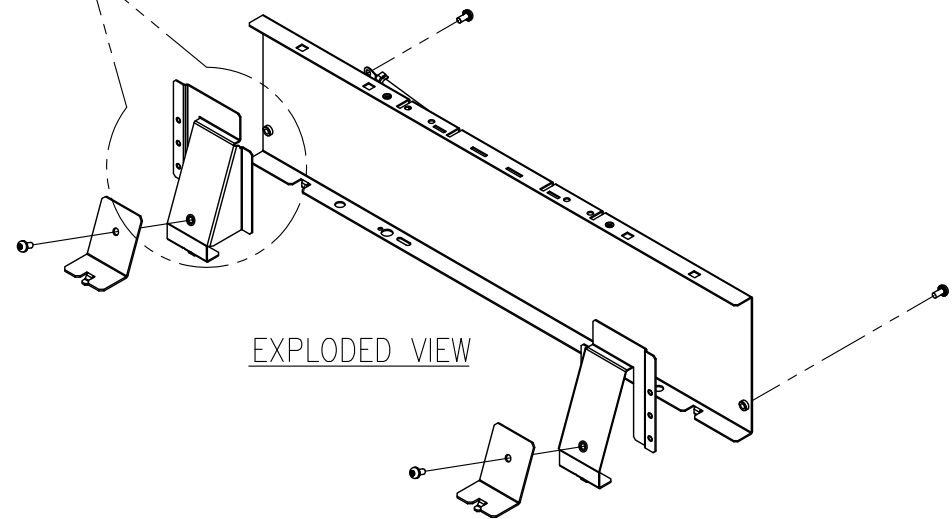


CABLE TROUGH BRACKET  
DETAIL VIEW  
SEE PAGE 2



**NOTES:**

1. INSTALLATION SHALL COMPLY WITH ALL APPLICABLE NATIONAL, STATE AND LOCAL CODES.
2. SEE PRODUCT DOCUMENTATION FOR FURTHER INFORMATION
3. UNLESS OTHERWISE SPECIFIED, ALL DIMENSIONS ARE IN MILLIMETERS[INCHES].
4. NET WEIGHT OF UNIT IS 5.18kG [11.4LBS]

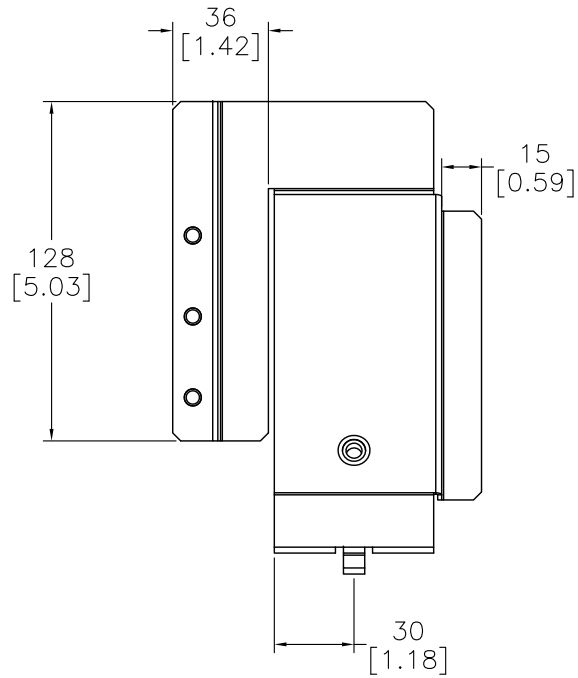
THIS DRAWING AND SPECIFICATIONS HEREIN ARE THE PROPERTY OF SCHNEIDER ELECTRIC AND SHALL NOT BE COPIED, REPRODUCED OR USED IN WHOLE OR IN PART, AS THE BASIS FOR THE MANUFACTURE OR SALE OF ITEMS WITHOUT WRITTEN PERMISSION FROM SCHNEIDER ELECTRIC. THIS DRAWING IS BASED UPON LATEST AVAILABLE INFORMATION AND IS SUBJECT TO CHANGE WITHOUT NOTICE.



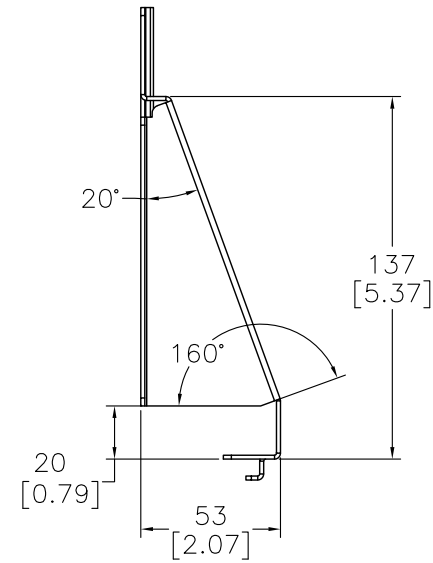
TITLE:  
CABLE TROUGH  
FOR InfraStructure PDU, 750mm  
MAIN MECHANICAL

PROJECT: SUBMITTAL DRAWINGS SHEET 1 OF 3

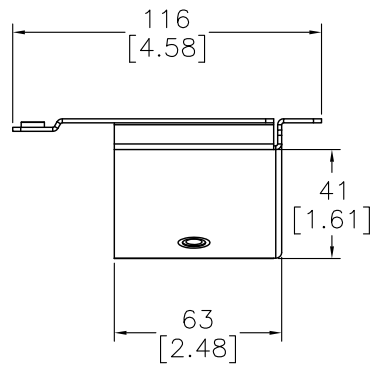
DWG NO:	AR8570	REV:	0
DRAWN BY:	V BUSH	05-MAY-10	FIRST ANGLE
ENGINEER:	Q MIAO/B OLIVER	05-MAY-10	PROJ
APPROVED BY:	B SHEDDEN/C LARSEN/E OLIVA/S WAGH	05-MAY-10	



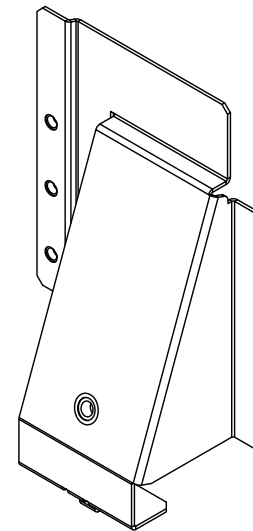
FRONT VIEW



SIDE VIEW



TOP VIEW



ISOMETRIC VIEW

NOTES:

1. INSTALLATION SHALL COMPLY WITH ALL APPLICABLE NATIONAL, STATE AND LOCAL CODES.
2. SEE PRODUCT DOCUMENTATION FOR FURTHER INFORMATION
3. UNLESS OTHERWISE SPECIFIED, ALL DIMENSIONS ARE IN MILLIMETERS [INCHES].

THIS DRAWING AND SPECIFICATIONS HEREIN ARE THE PROPERTY OF SCHNEIDER ELECTRIC AND SHALL NOT BE COPIED, REPRODUCED OR USED IN WHOLE OR IN PART, AS THE BASIS FOR THE MANUFACTURE OR SALE OF ITEMS WITHOUT WRITTEN PERMISSION FROM SCHNEIDER ELECTRIC. THIS DRAWING IS BASED UPON LATEST AVAILABLE INFORMATION AND IS SUBJECT TO CHANGE WITHOUT NOTICE.

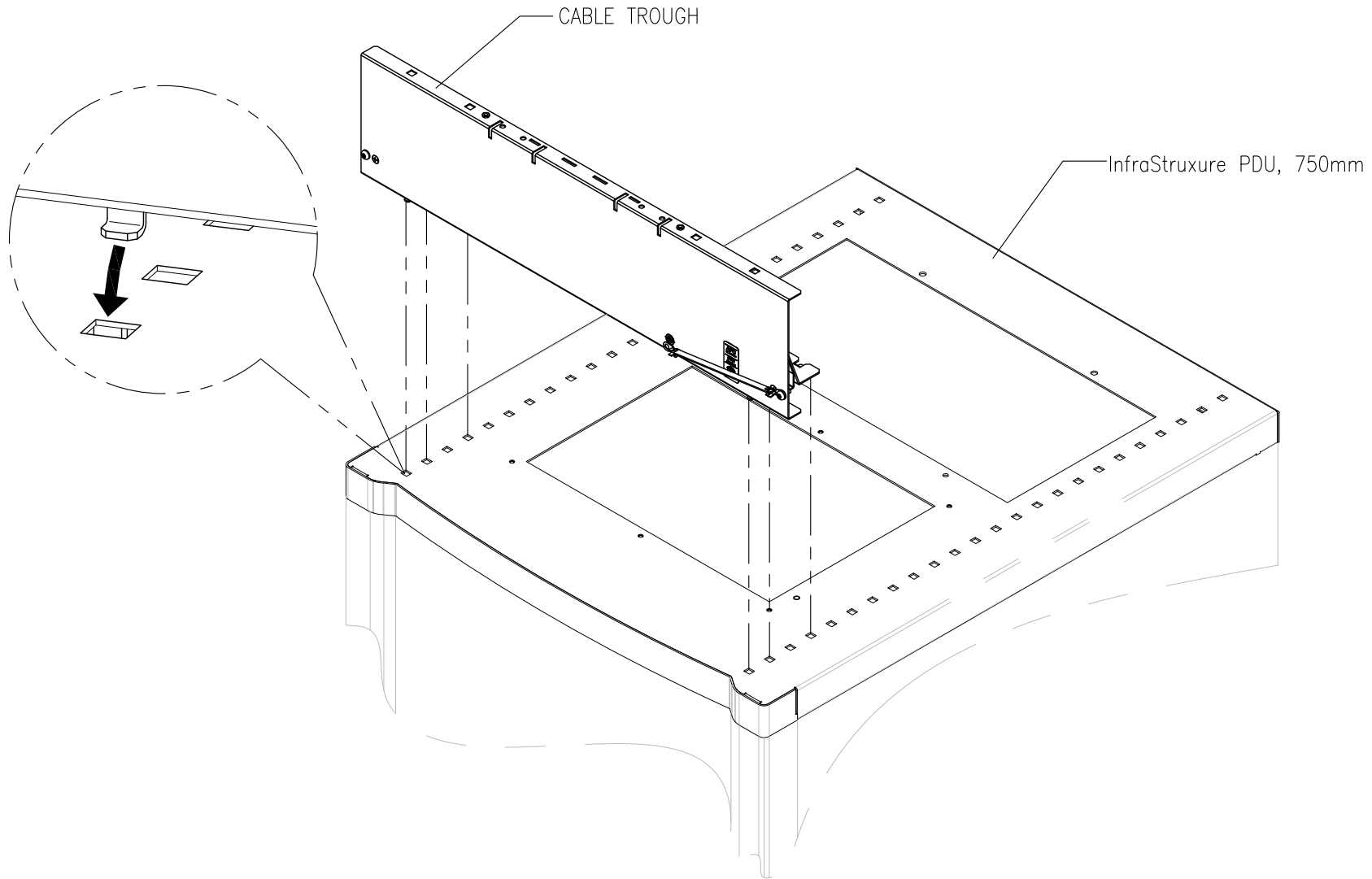


TITLE:  
CABLE TROUGH  
FOR InfraStruxure PDU, 750mm  
CABLE TROUGH BRACKET DETAIL

PROJECT: SUBMITTAL DRAWINGS SHEET 2 OF 3

DWG NO:	AR8570	REV:	0
DRAWN BY:	V BUSH	05-MAY-10	FIRST
ENGINEER:	Q MIAO/B OLIVER	05-MAY-10	ANGLE
APPROVED BY:	B SHEDDEN/C LARSEN/E SILVA/S WASH	05-MAY-10	PROJ

# TYPICAL INSTALLATION



**NOTES:**

1. INSTALLATION SHALL COMPLY WITH ALL APPLICABLE NATIONAL, STATE AND LOCAL CODES.
2. SEE PRODUCT DOCUMENTATION FOR FURTHER INFORMATION

THIS DRAWING AND SPECIFICATIONS HEREIN ARE THE PROPERTY OF SCHNEIDER ELECTRIC AND SHALL NOT BE COPIED, REPRODUCED OR USED IN WHOLE OR IN PART, AS THE BASIS FOR THE MANUFACTURE OR SALE OF ITEMS WITHOUT WRITTEN PERMISSION FROM SCHNEIDER ELECTRIC. THIS DRAWING IS BASED UPON LATEST AVAILABLE INFORMATION AND IS SUBJECT TO CHANGE WITHOUT NOTICE.



TITLE:  
CABLE TROUGH  
FOR InfraStruxure PDU, 750mm  
TYPICAL INSTALLATION

PROJECT: SUBMITTAL DRAWINGS SHEET 3 OF 3

DWG NO:	AR8570		REV:	0
DRAWN BY:	V BUSH	05-MAY-10	FIRST	ANGLE
ENGINEER:	Q MIAO/B OLIVER	05-MAY-10	PROJ	
APPROVED BY:	B SHEDMAN/C LUKOVIC/CLAY/S WACH	05-MAY-10		