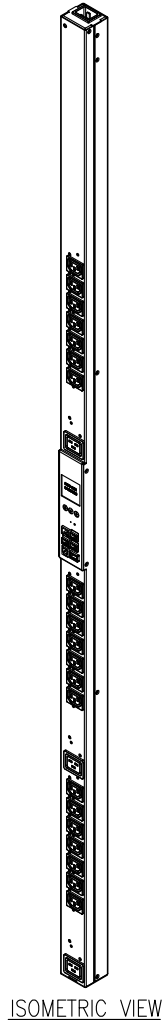


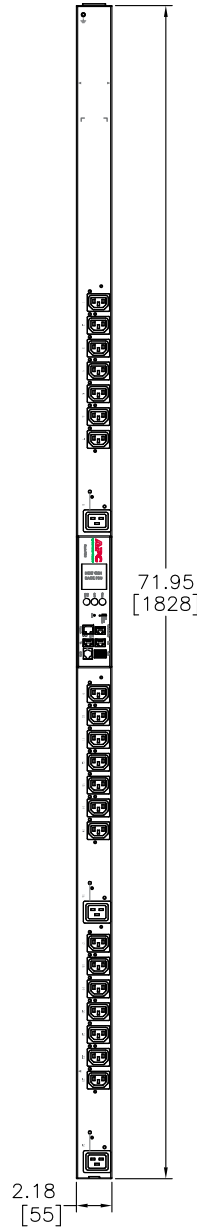
DETAIL A



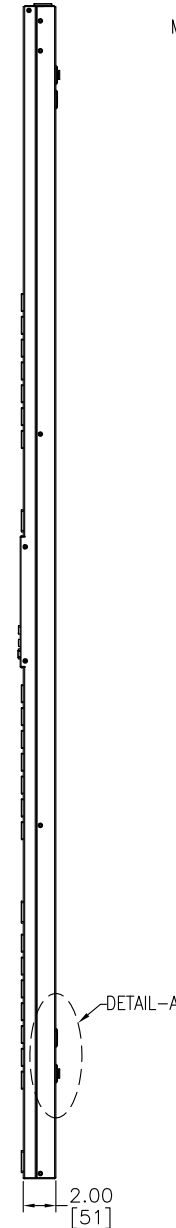
ISOMETRIC VIEW



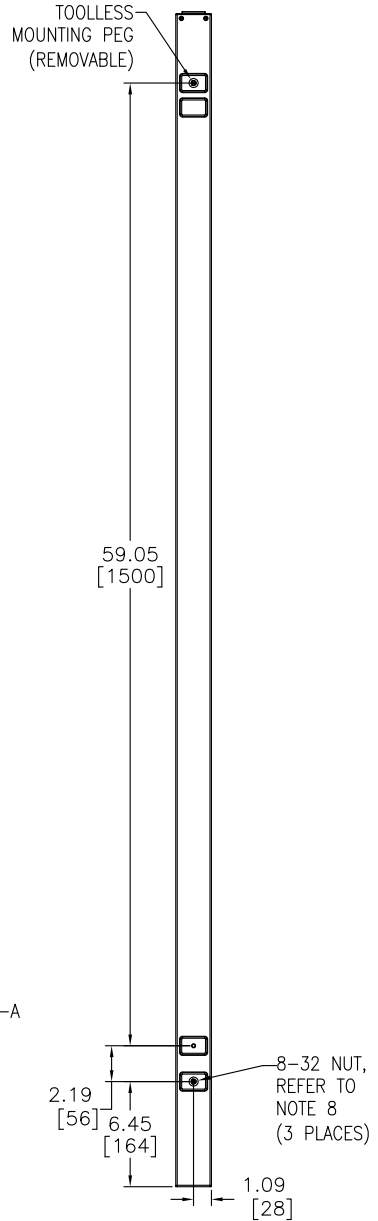
TOP VIEW



FRONT VIEW



SIDE VIEW



REAR VIEW

NOTES:

1. INSTALLATION SHALL COMPLY WITH ALL APPLICABLE NATIONAL, STATE AND LOCAL CODES.
2. SEE PRODUCT DOCUMENTATION FOR FURTHER INFORMATION
3. UNLESS OTHERWISE SPECIFIED, ALL DIMENSIONS ARE IN INCHES [MILLIMETERS].
4. NET WEIGHT OF UNIT IS 14.90 LBS [6.77 kg].
5. ADDITIONAL INPUT CORD 118.00 IN [2997 MM], LOCKING IEC-C19 TO IEC309-16A) IS SUPPLIED WITH THE UNIT.
6. UNIVERSAL MOUNTING BRACKET IS AN ALTERNATIVE MOUNTING METHOD TO THE TOOLLESS MOUNT FOR 3RD PARTY ENCLOSURES. BRACKET IS PROVIDED WITH THE UNIT. DETAILED INSTALLATION INSTRUCTIONS CAN BE FOUND IN THE PROVIDED MANUAL.
7. BRACKET KITS TO MOUNT TO SPECIFIC 3RD PARTY ENCLOSURES ARE AVAILABLE AS OPTIONS.
8. REFER TO WARNING LABEL ON REAR OF UNIT FOR SCREW MOUNTING.

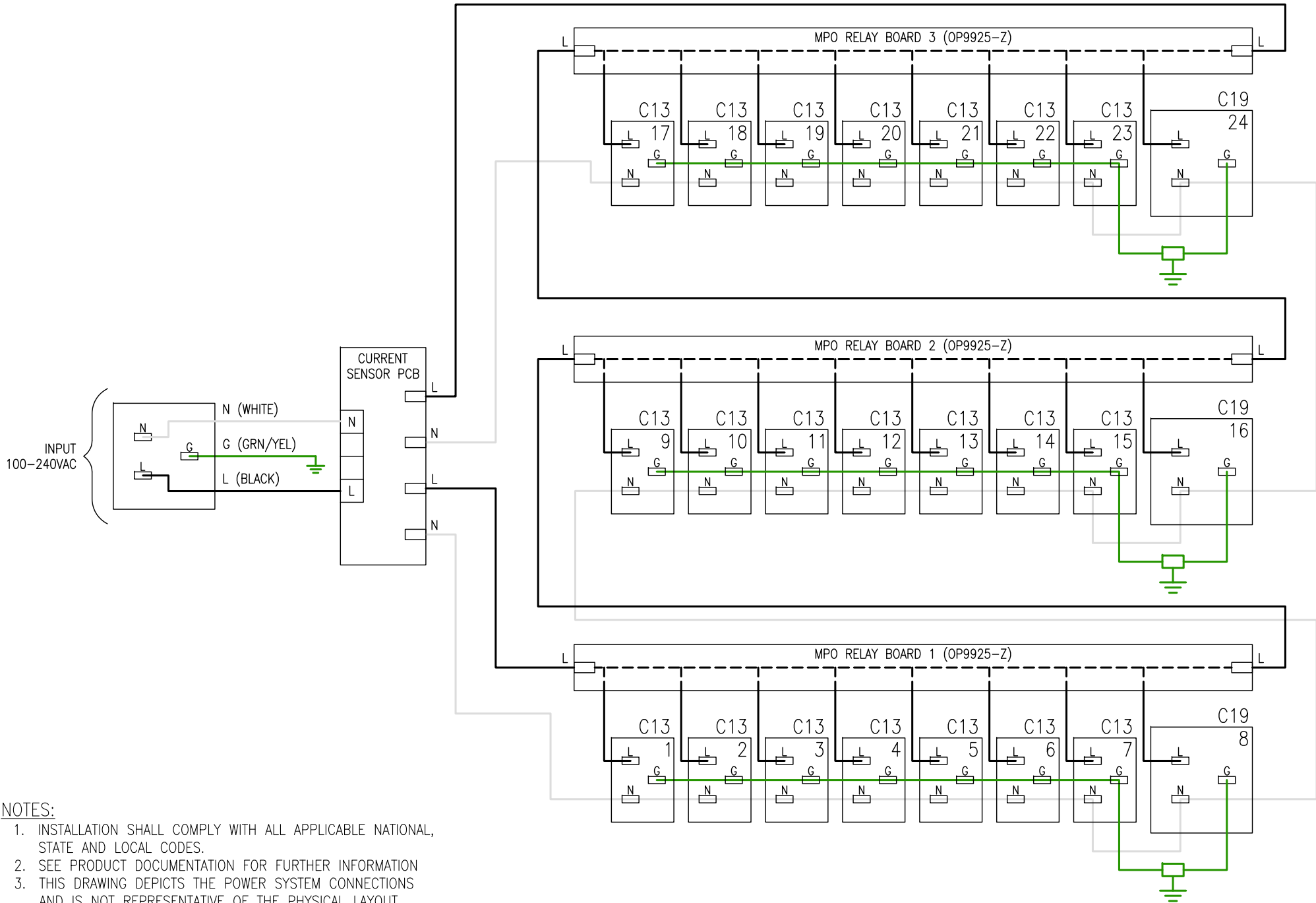
THIS DRAWING AND SPECIFICATIONS HEREIN ARE THE PROPERTY OF SCHNEIDER ELECTRIC AND SHALL NOT BE COPIED, REPRODUCED OR USED IN WHOLE OR IN PART, AS THE BASIS FOR THE MANUFACTURE OR SALE OF ITEMS WITHOUT WRITTEN PERMISSION FROM SCHNEIDER ELECTRIC. THIS DRAWING IS BASED UPON LATEST AVAILABLE INFORMATION AND IS SUBJECT TO CHANGE WITHOUT NOTICE.



TITLE: RACK PDU 2G, METERED BY OUTLET w/ SWITCHING  
ZERO U, 16A, 230V  
INPUT: IEC 309, 16A, 2P+E  
OUTPUT: (2)IEC 320 C13 & (3)IEC 320 C19  
MAIN MECHANICAL

PROJECT: STD SUBMITTAL DRAWINGS SHEET 1 OF 2

DWG NO:	AP8659EU3	REV.	0
DRAWN BY:	S CUNHA	02-NOV-12	THIRD
ENGINEER:	T HORSTMANN	02-NOV-12	ANGLE
APPROVED BY:	S VOCCIO	02-NOV-12	PROJ



**NOTES:**

1. INSTALLATION SHALL COMPLY WITH ALL APPLICABLE NATIONAL, STATE AND LOCAL CODES.
2. SEE PRODUCT DOCUMENTATION FOR FURTHER INFORMATION
3. THIS DRAWING DEPICTS THE POWER SYSTEM CONNECTIONS AND IS NOT REPRESENTATIVE OF THE PHYSICAL LAYOUT. PLEASE REFER TO MECHANICAL DRAWINGS FOR PHYSICAL LAYOUT.

THIS DRAWING AND SPECIFICATIONS HEREIN ARE THE PROPERTY OF SCHNEIDER ELECTRIC AND SHALL NOT BE COPIED, REPRODUCED OR USED IN WHOLE OR IN PART, AS THE BASIS FOR THE MANUFACTURE OR SALE OF ITEMS WITHOUT WRITTEN PERMISSION FROM SCHNEIDER ELECTRIC. THIS DRAWING IS BASED UPON LATEST AVAILABLE INFORMATION AND IS SUBJECT TO CHANGE WITHOUT NOTICE.



TITLE: RACK PDU 26, METERED BY OUTLET w/ SWITCHING  
 ZERO U, 16A, 230V  
 INPUT: IEC 309, 16A, 2P+E  
 OUTPUT: (2)IEC 320 C13 & (3)IEC 320 C19  
 ELECTRICAL SCHEMATIC

PROJECT: STD SUBMITTAL DRAWINGS SHEET 2 OF 2

DWG NO:	AP8659EU3	REV.	0
DRAWN BY:	S CUNHA	02-NOV-12	PROJ
ENGINEER:	T HORSTMANN	02-NOV-12	ANGLE
APPROVED BY:	S VOCCIO	02-NOV-12	N/A