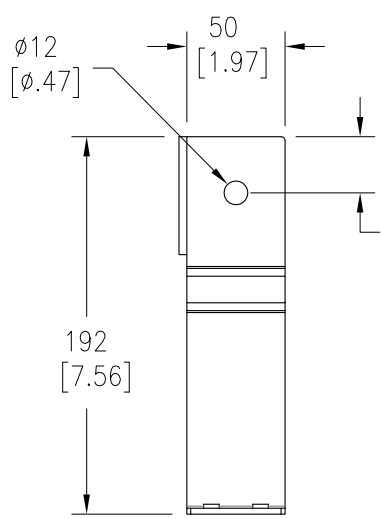
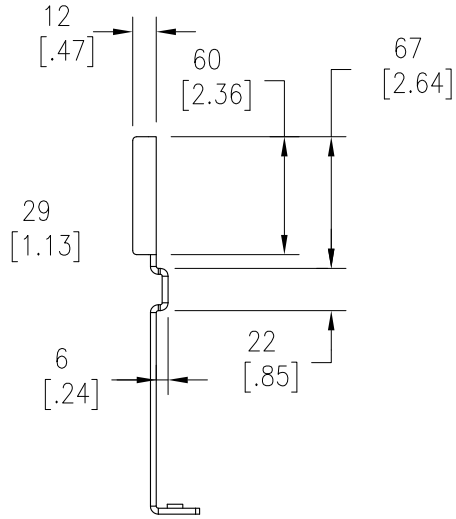


MOUNTING BRACKETS-ADJUSTABLE MOUNTING SUPPORT (COOLING/RACK)

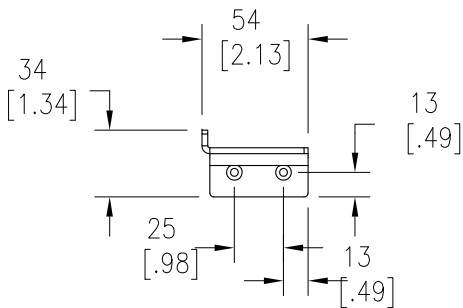
BRACKET AR-RH



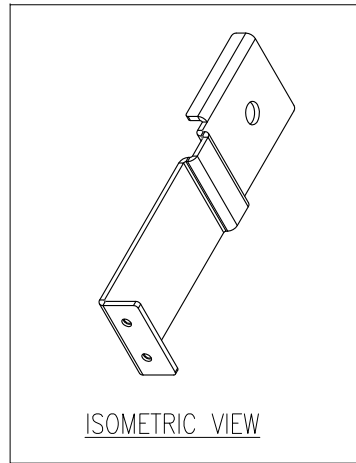
FRONT VIEW



LEFT SIDE VIEW

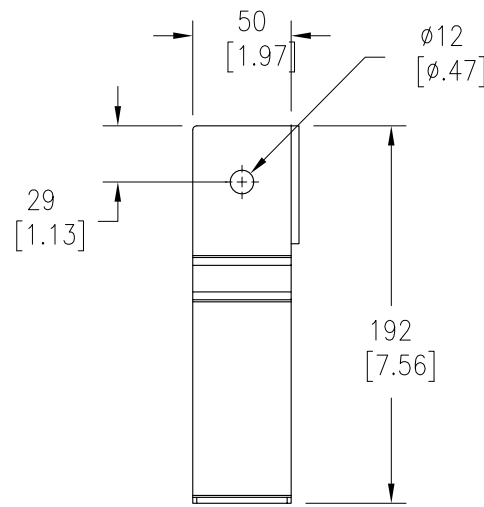


TOP VIEW

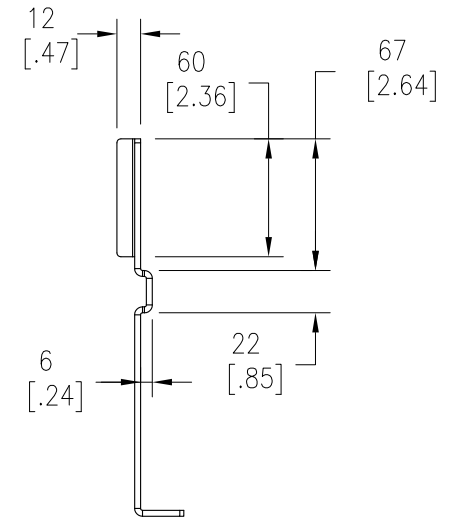


ISOMETRIC VIEW

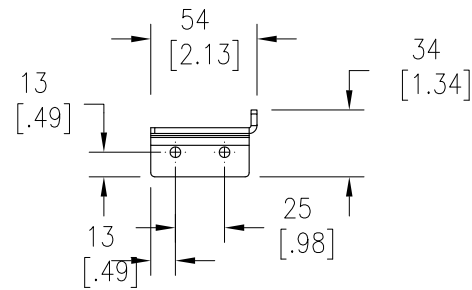
BRACKET AR-LH



FRONT VIEW



LEFT SIDE VIEW



ISOMETRIC VIEW

NOTES:

1. COMPLY WITH ALL APPLICABLE NATIONAL AND LOCAL ELECTRICAL REGULATIONS.
2. REFER TO PRODUCT DOCUMENTATION FOR ADDITIONAL DETAILS PRIOR TO INSTALLATION AND SITE PREPARATION WORK.
3. ALL DIMENSIONS ARE IN MILLIMETERS [INCHES].
4. NET WEIGHT OF UNIT(4-BRACKETS) IS 0.75kg [1.65lbs]

THIS DRAWING AND SPECIFICATIONS HEREIN ARE THE PROPERTY OF SCHNEIDER ELECTRIC AND SHALL NOT BE COPIED, REPRODUCED OR USED IN WHOLE OR IN PART, AS THE BASIS FOR THE MANUFACTURE OR SALE OF ITEMS WITHOUT WRITTEN PERMISSION FROM SCHNEIDER ELECTRIC. THIS DRAWING IS BASED UPON LATEST AVAILABLE INFORMATION AND IS SUBJECT TO CHANGE WITHOUT NOTICE.

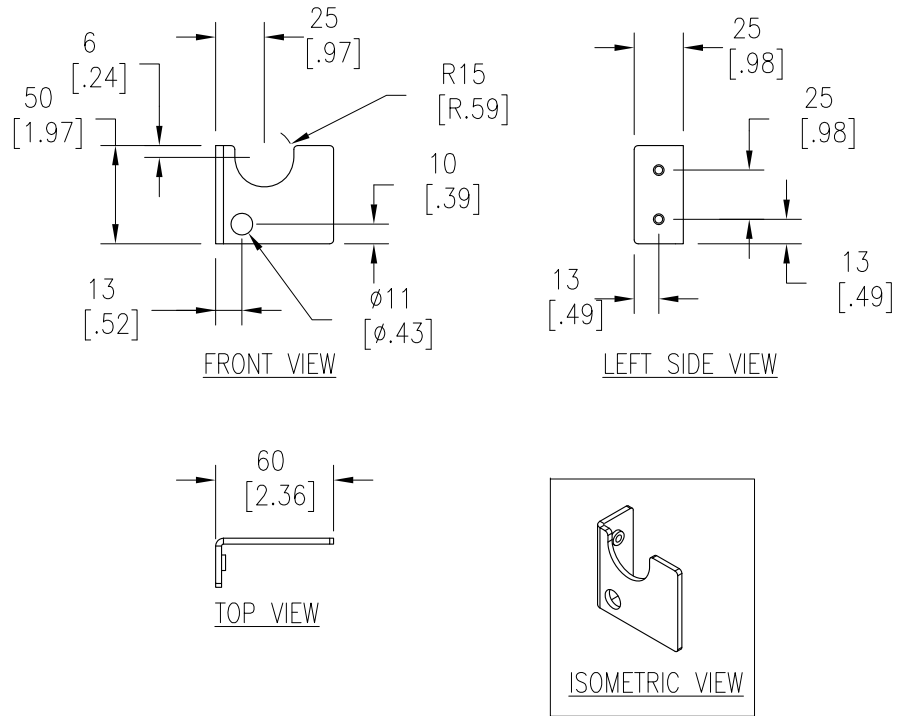


TITLE:
Eco-Aisle (TM) Aisle Containment System
MOUNTING BRACKETS-ADJ.MTG. SUPPORT
BRACKET AR LH & RH
PROJECT: SUBMITTAL DRAWINGS SHEET 1 OF 2

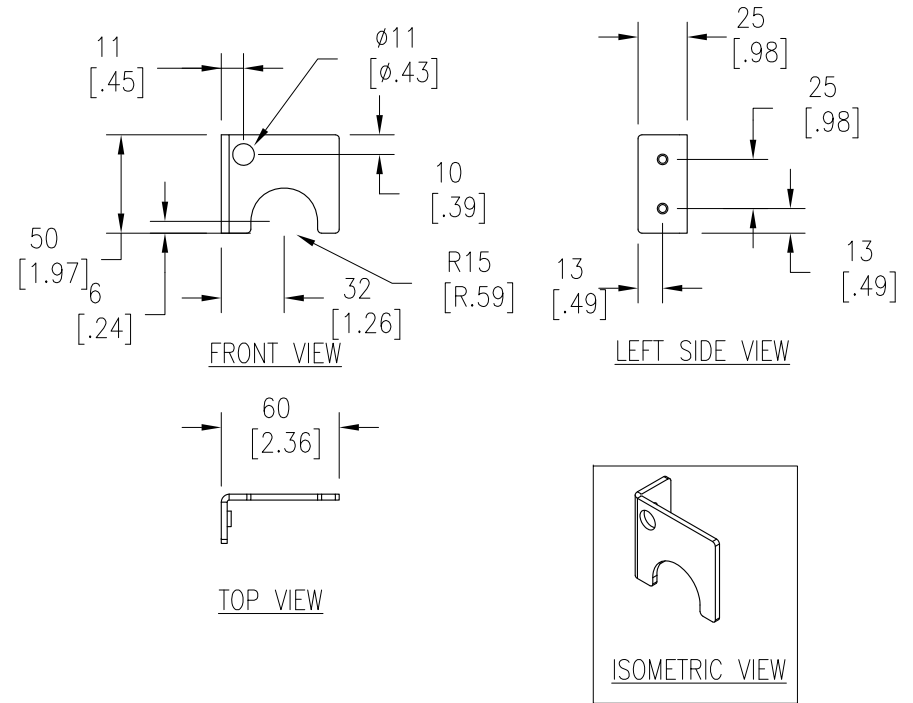
DWG NO:	ACDC2204	REV.	0
DRAWN BY:	K.NAGENDRA	01-JUL-13	FIRST
ENGINEER:	RUSTIN SHI/MARK MENG	01-JUL-13	ANGLE
APPROVED BY:	AARON GRAFF	01-JUL-13	PROJ

MOUNTING BRACKETS-ADJUSTABLE MOUNTING SUPPORT (COOLING/RACK)

BRACKET RC-REAR



BRACKET RA-REAR



NOTES:

1. COMPLY WITH ALL APPLICABLE NATIONAL AND LOCAL ELECTRICAL REGULATIONS.
2. REFER TO PRODUCT DOCUMENTATION FOR ADDITIONAL DETAILS PRIOR TO INSTALLATION AND SITE PREPARATION WORK.
3. ALL DIMENSIONS ARE IN MILLIMETERS [INCHES].

THIS DRAWING AND SPECIFICATIONS HEREIN ARE THE PROPERTY OF SCHNEIDER ELECTRIC AND SHALL NOT BE COPIED, REPRODUCED OR USED IN WHOLE OR IN PART, AS THE BASIS FOR THE MANUFACTURE OR SALE OF ITEMS WITHOUT WRITTEN PERMISSION FROM SCHNEIDER ELECTRIC. THIS DRAWING IS BASED UPON LATEST AVAILABLE INFORMATION AND IS SUBJECT TO CHANGE WITHOUT NOTICE.



TITLE:
Eco-Aisle (TM) Aisle Containment System
MOUNTING BRACKETS-ADJ.MTG. SUPPORT
BRACKET RA & RC REAR

PROJECT: SUBMITTAL DRAWINGS SHEET 2 OF 2

DWG NO:	ACDC2204	REV:	0
DRAWN BY:	K.NAGENDRA	01-JUL-13	FIRST
ENGINEER:	RUSTIN SHI/MARK MENG	01-JUL-13	ANGLE
APPROVED BY:	AARON GRAFF	01-JUL-13	PROJ