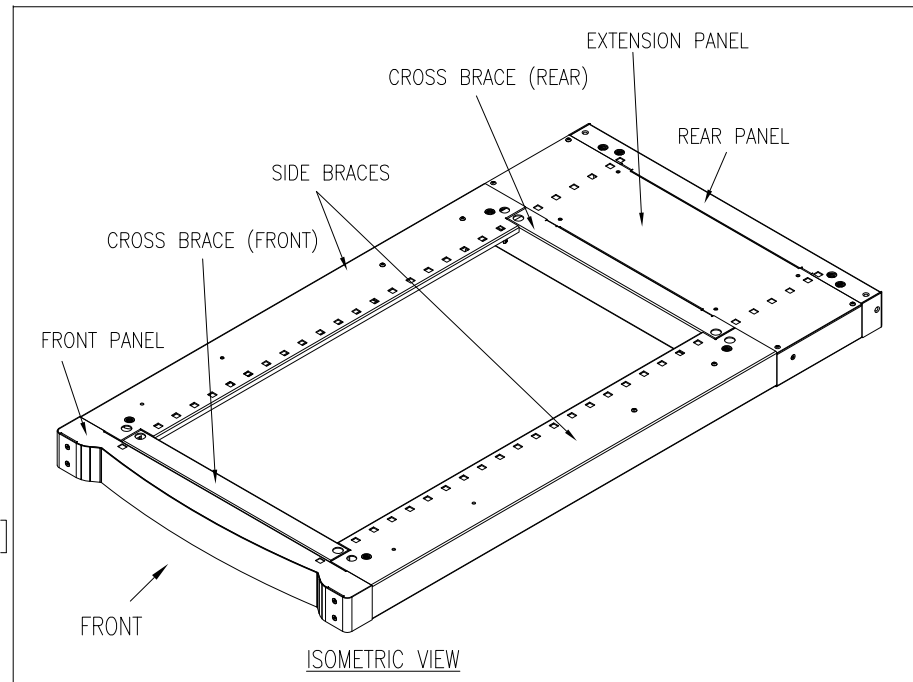
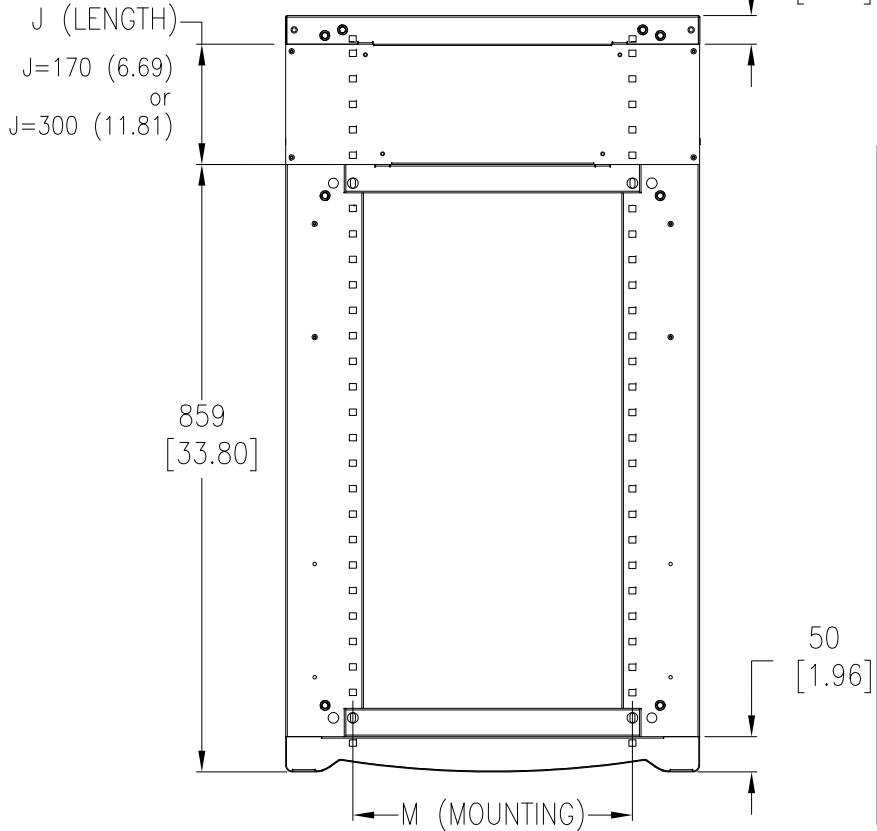
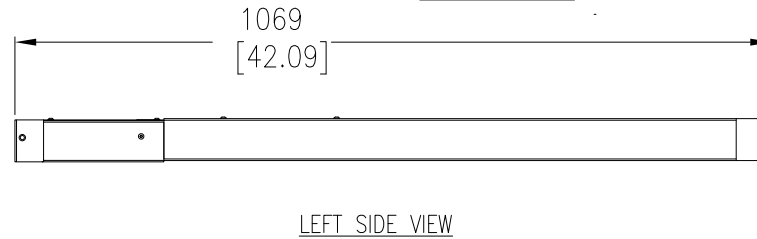
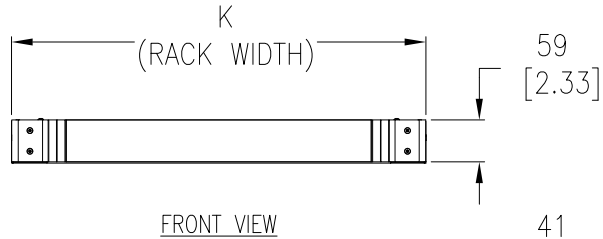


TYPICAL ARRANGEMENT- ROOF HEIGHT ADAPTER (VX-SX)

ACDC2510



NOTES:

1. COMPLY WITH ALL APPLICABLE NATIONAL AND LOCAL ELECTRICAL REGULATIONS.
2. REFER TO PRODUCT DOCUMENTATION FOR ADDITIONAL DETAILS PRIOR TO INSTALLATION AND SITE PREPARATION WORK.
3. ALL DIMENSIONS ARE IN MILLIMETERS [INCHES].
4. NET WEIGHT OF UNIT-REFER TO TABLE
5. TYPICAL ARRANGEMENT SHOWN FOR ROOF HEIGHT ADAPTER (VX-SX)-170(6.69)EXTENSION CONFIGURATION.



Roof Height Adapter Details

SKU No.	Rack Type	K (Rack Width)	R (Rack Depth)		Mounting M (hole to hole)	Weight, kg (lbs)
			J=170mm Extension	J=300mm Extension		
ACDC2510	VX42U-SX45U, 600mm	585 (23.03)	1069 (42.09)	1191 (46.89)	395 (15.55)	15.96 (35.11)

THIS DRAWING AND SPECIFICATIONS HEREIN ARE THE PROPERTY OF SCHNEIDER ELECTRIC AND SHALL NOT BE COPIED, REPRODUCED OR USED IN WHOLE OR IN PART, AS THE BASIS FOR THE MANUFACTURE OR SALE OF ITEMS WITHOUT WRITTEN PERMISSION FROM SCHNEIDER ELECTRIC. THIS DRAWING IS BASED UPON LATEST AVAILABLE INFORMATION AND IS SUBJECT TO CHANGE WITHOUT NOTICE.



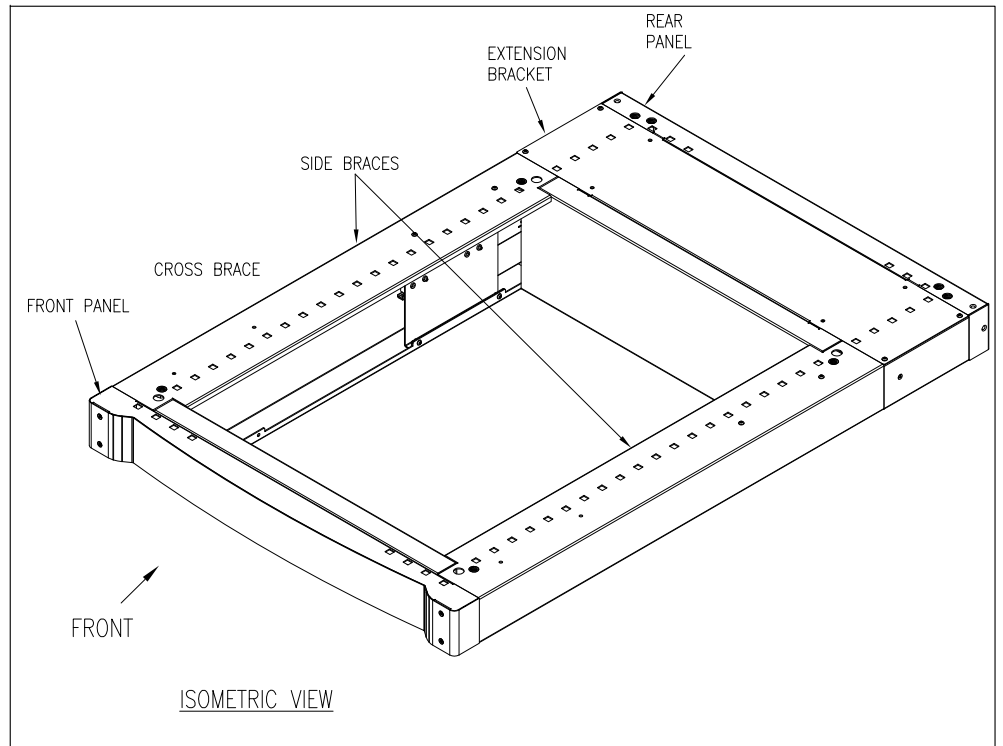
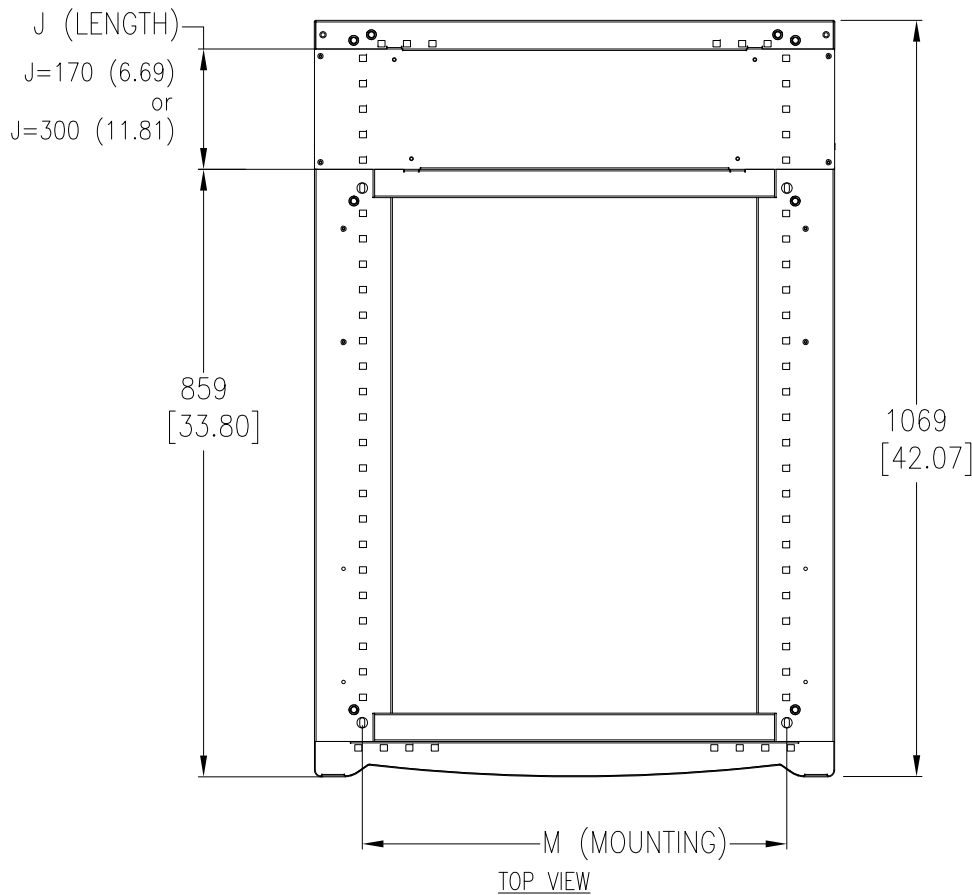
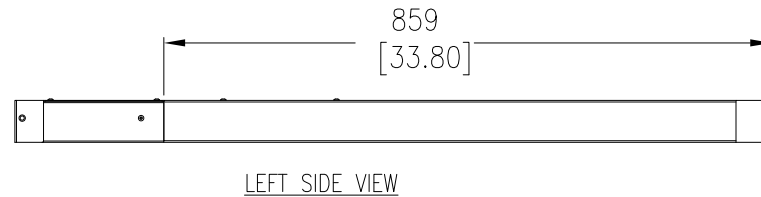
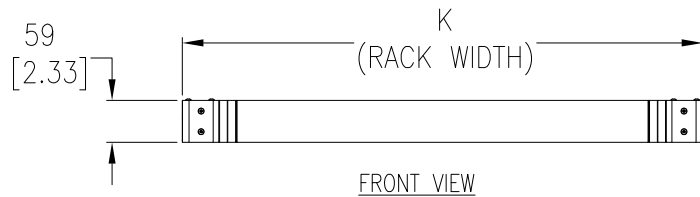
TITLE:  
Eco-Aisle (TM) Aisle Containment System  
ROOF HEIGHT ADAPTER (VX-SX)  
ASSEMBLY ACDC2510

PROJECT: SUBMITTAL DRAWINGS SHEET 1 OF 7

DWG NO:	ACDC2510-2511	REV.	0
DRAWN BY:	K.NAGENDRA	01-JUL-13	FIRST
ENGINEER:	JASON LJ/MARK MENG	01-JUL-13	ANGLE
APPROVED BY:	AARON GRAFF	01-JUL-13	PROJ

TYPICAL ARRANGEMENT- ROOF HEIGHT ADAPTER (VX-SX)

ACDC2511



NOTES:

1. COMPLY WITH ALL APPLICABLE NATIONAL AND LOCAL ELECTRICAL REGULATIONS.
2. REFER TO PRODUCT DOCUMENTATION FOR ADDITIONAL DETAILS PRIOR TO INSTALLATION AND SITE PREPARATION WORK.
3. ALL DIMENSIONS ARE IN MILLIMETERS [INCHES].
4. NET WEIGHT OF UNIT-REFER TO TABLE
5. TYPICAL ARRANGEMENT SHOWN FOR ROOF HEIGHT ADAPTER (VX-SX)-170(6.69) EXTENSION CONFIGURATION.



Roof Height Adapter Details

SKU No.	Rack Type	K (Rack Width)	R (Rack Depth)	R (Rack Depth)	Mounting M (hole to hole)	Weight, kg (lbs)
			J=170mm Extension	J=300mm Extension		
ACDC2511	VX42U-SX45U, 750mm	735(28.94)	1069 (42.09)	1191 (46.89)	600 (23.62)	18.46 (40.61)



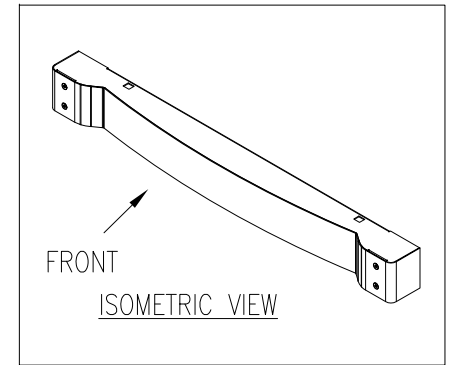
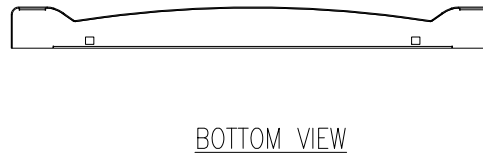
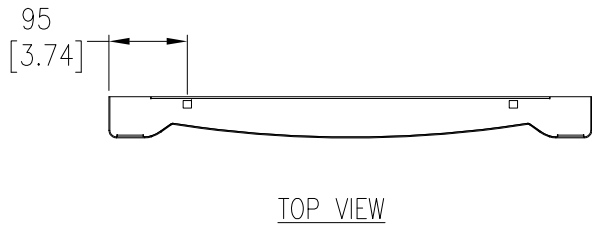
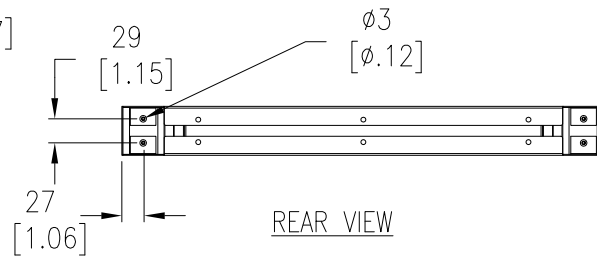
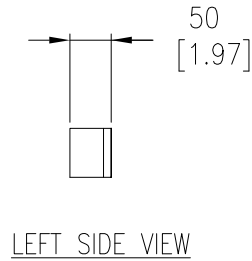
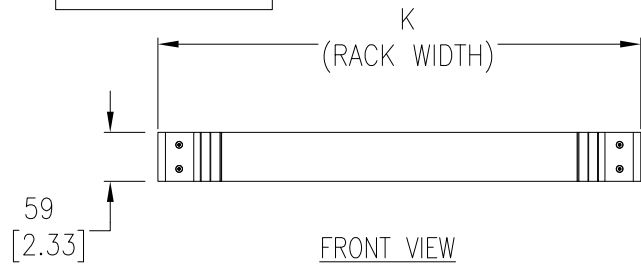
THIS DRAWING AND SPECIFICATIONS HEREIN ARE THE PROPERTY OF SCHNEIDER ELECTRIC AND SHALL NOT BE COPIED, REPRODUCED OR USED IN WHOLE OR IN PART, AS THE BASIS FOR THE MANUFACTURE OR SALE OF ITEMS WITHOUT WRITTEN PERMISSION FROM SCHNEIDER ELECTRIC. THIS DRAWING IS BASED UPON LATEST AVAILABLE INFORMATION AND IS SUBJECT TO CHANGE WITHOUT NOTICE.



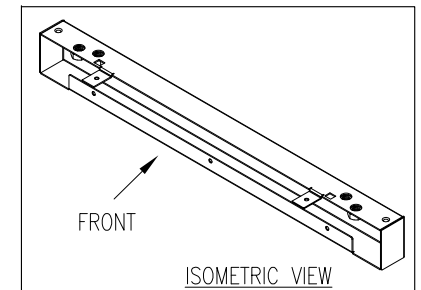
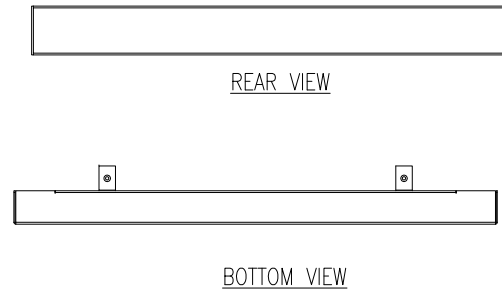
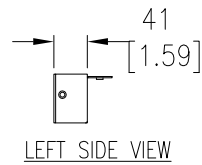
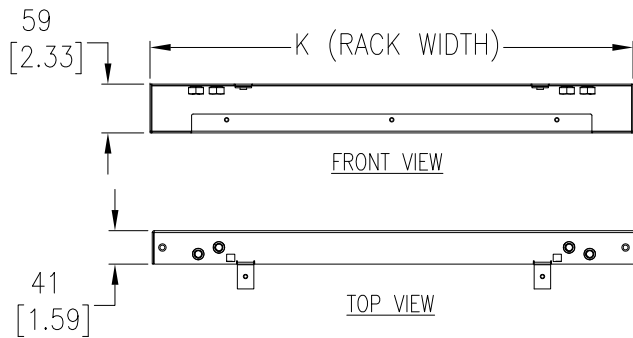
TITLE:  
Eco-Aisle (TM) Aisle Containment System  
ROOF HEIGHT ADAPTER (VX-SX)  
ASSEMBLY ACDC2511  
PROJECT: SUBMITTAL DRAWINGS SHEET 2 OF 7

DWG NO:	ACDC2510-2511	REV.	0
DRAWN BY:	K.NAGENDRA	01-JUL-13	FIRST
ENGINEER:	JASON LI/MARK MENG	01-JUL-13	ANGLE
APPROVED BY:	AARON GRAFF	01-JUL-13	PROJ

**FRONT PANEL**



**REAR PANEL**



**NOTES:**

1. COMPLY WITH ALL APPLICABLE NATIONAL AND LOCAL ELECTRICAL REGULATIONS.
2. REFER TO PRODUCT DOCUMENTATION FOR ADDITIONAL DETAILS PRIOR TO INSTALLATION AND SITE PREPARATION WORK.
3. ALL DIMENSIONS ARE IN MILLIMETERS [INCHES].

THIS DRAWING AND SPECIFICATIONS HEREIN ARE THE PROPERTY OF SCHNEIDER ELECTRIC AND SHALL NOT BE COPIED, REPRODUCED OR USED IN WHOLE OR IN PART, AS THE BASIS FOR THE MANUFACTURE OR SALE OF ITEMS WITHOUT WRITTEN PERMISSION FROM SCHNEIDER ELECTRIC. THIS DRAWING IS BASED UPON LATEST AVAILABLE INFORMATION AND IS SUBJECT TO CHANGE WITHOUT NOTICE.



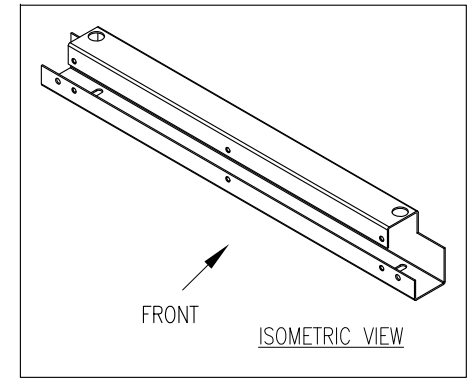
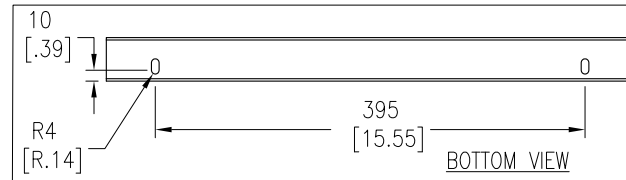
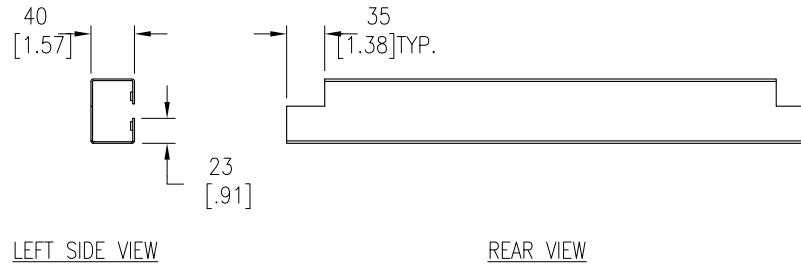
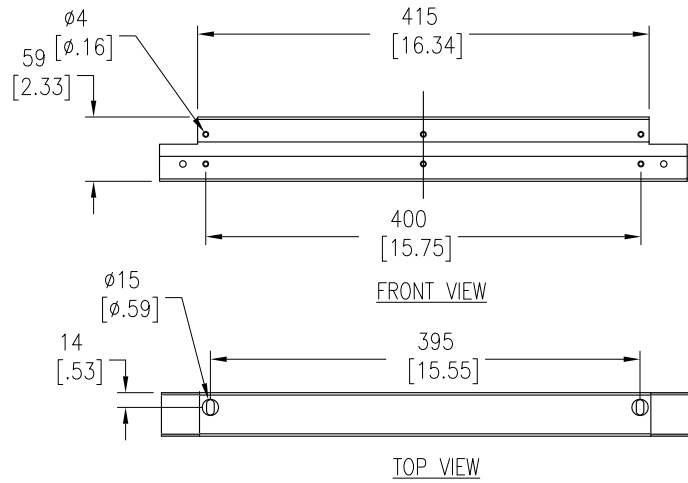
TITLE:  
Eco-Aisle (TM) Aisle Containment System  
ROOF HEIGHT ADAPTER (VX-SX)  
FRONT AND REAR PANEL

PROJECT: SUBMITTAL DRAWINGS | SHEET 3 OF 7

DWG NO:	ACDC2510-2511	REV.	0
DRAWN BY:	K.NAGENDRA	01-JUL-13	FIRST
ENGINEER:	JASON LI/MARK MENG	01-JUL-13	ANGLE
APPROVED BY:	AARON GRAFF	01-JUL-13	PROJ

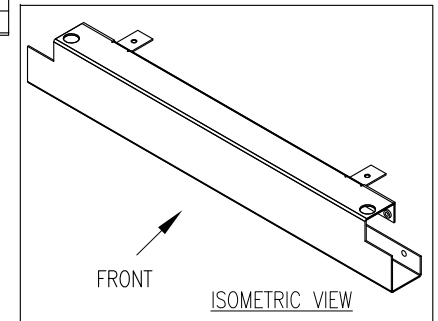
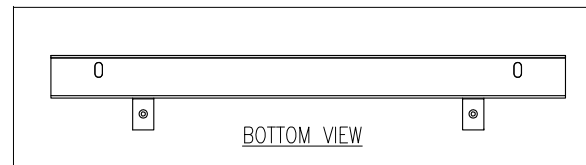
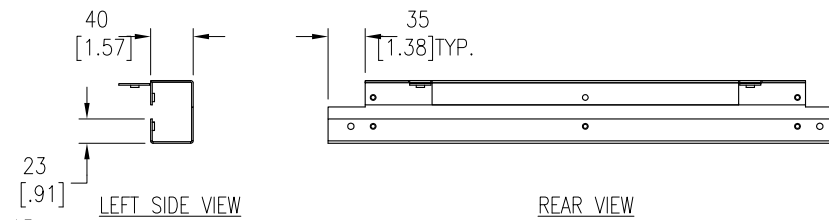
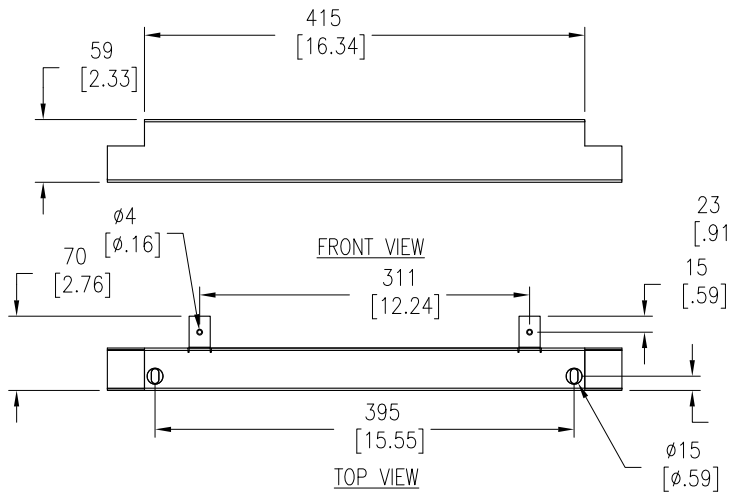
CROSS BRACE (FRONT)

ACDC2510



CROSS BRACE (REAR)

ACDC2510



NOTES:

1. COMPLY WITH ALL APPLICABLE NATIONAL AND LOCAL ELECTRICAL REGULATIONS.
2. REFER TO PRODUCT DOCUMENTATION FOR ADDITIONAL DETAILS PRIOR TO INSTALLATION AND SITE PREPARATION WORK.
3. ALL DIMENSIONS ARE IN MILLIMETERS [INCHES].

THIS DRAWING AND SPECIFICATIONS HEREIN ARE THE PROPERTY OF SCHNEIDER ELECTRIC AND SHALL NOT BE COPIED, REPRODUCED OR USED IN WHOLE OR IN PART, AS THE BASIS FOR THE MANUFACTURE OR SALE OF ITEMS WITHOUT WRITTEN PERMISSION FROM SCHNEIDER ELECTRIC. THIS DRAWING IS BASED UPON LATEST AVAILABLE INFORMATION AND IS SUBJECT TO CHANGE WITHOUT NOTICE.



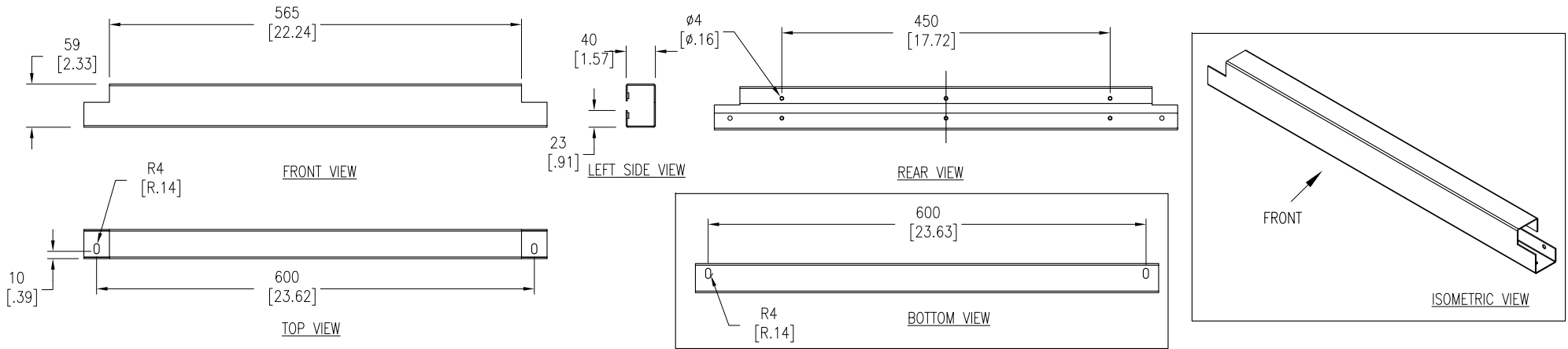
TITLE:  
Eco-Aisle (TM) Aisle Containment System  
ROOF HEIGHT ADAPTER (VX-SX)  
CROSS BRACE-ACDC2510

PROJECT: SUBMITTAL DRAWINGS SHEET 4 OF 7

DWG NO:	ACDC2510-2511	REV:	0
DRAWN BY:	K.NAGENDRA	01-JUL-13	FIRST
ENGINEER:	JASON LI/MARK MENG	01-JUL-13	ANGLE
APPROVED BY:	AARON GRAFF	01-JUL-13	PROJ

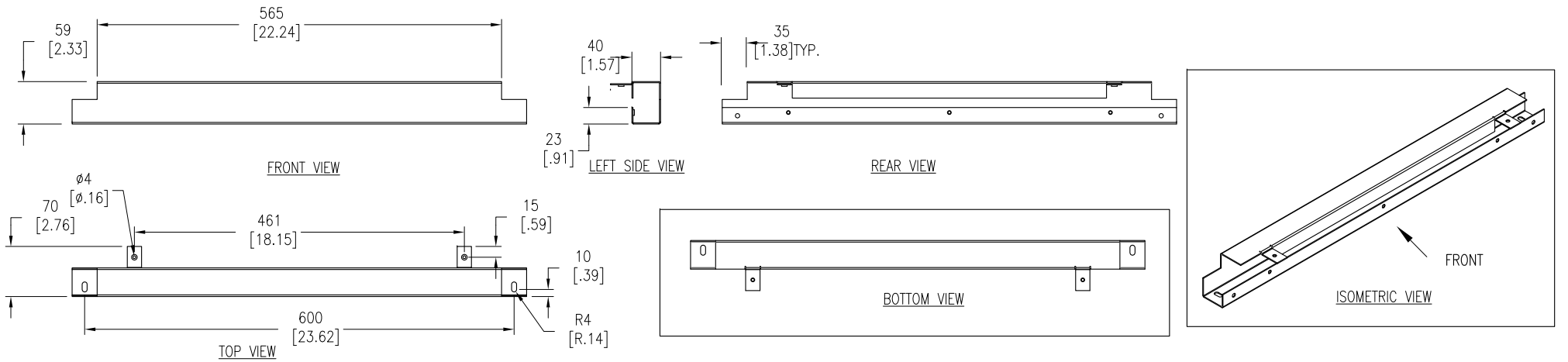
CROSS BRACE (FRONT)

ACDC2511



CROSS BRACE (REAR)

ACDC2511



NOTES:

1. COMPLY WITH ALL APPLICABLE NATIONAL AND LOCAL ELECTRICAL REGULATIONS.
2. REFER TO PRODUCT DOCUMENTATION FOR ADDITIONAL DETAILS PRIOR TO INSTALLATION AND SITE PREPARATION WORK.
3. ALL DIMENSIONS ARE IN MILLIMETERS [INCHES].

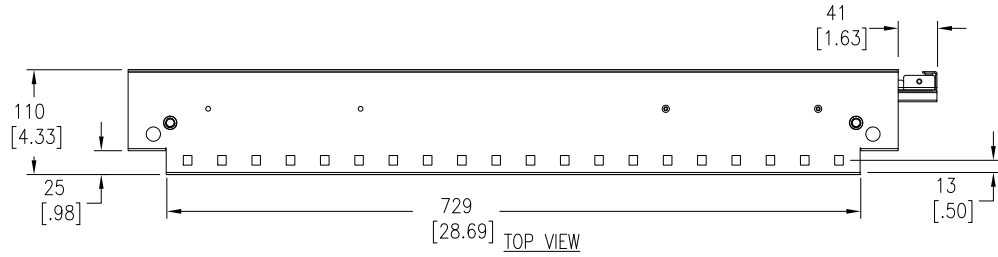
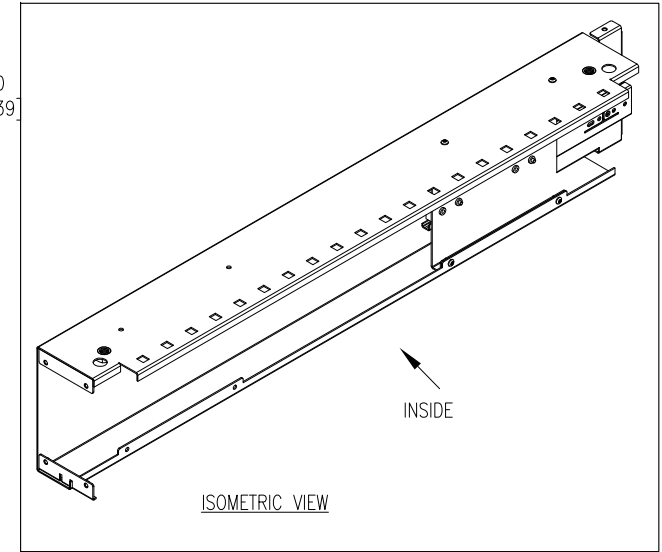
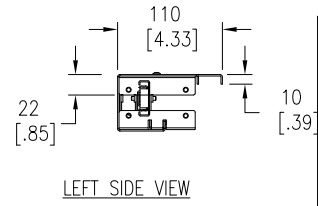
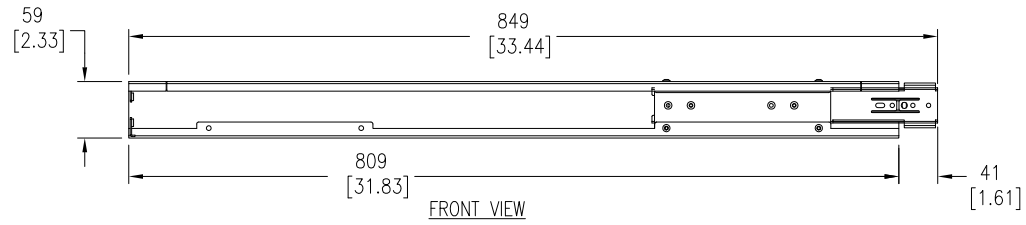
THIS DRAWING AND SPECIFICATIONS HEREIN ARE THE PROPERTY OF SCHNEIDER ELECTRIC AND SHALL NOT BE COPIED, REPRODUCED OR USED IN WHOLE OR IN PART, AS THE BASIS FOR THE MANUFACTURE OR SALE OF ITEMS WITHOUT WRITTEN PERMISSION FROM SCHNEIDER ELECTRIC. THIS DRAWING IS BASED UPON LATEST AVAILABLE INFORMATION AND IS SUBJECT TO CHANGE WITHOUT NOTICE.



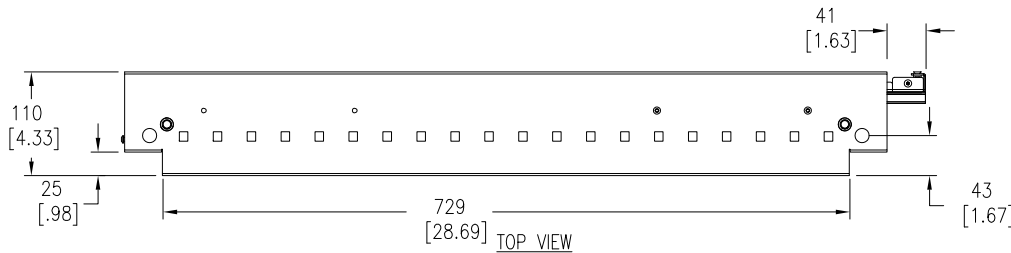
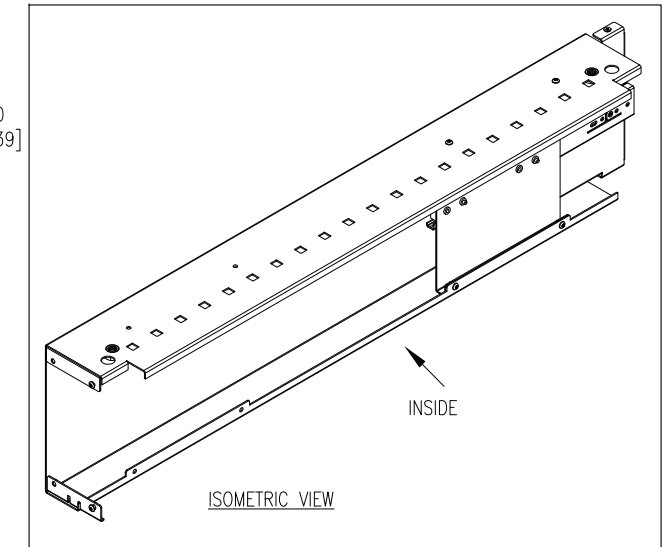
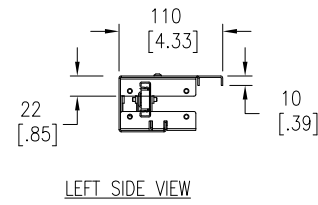
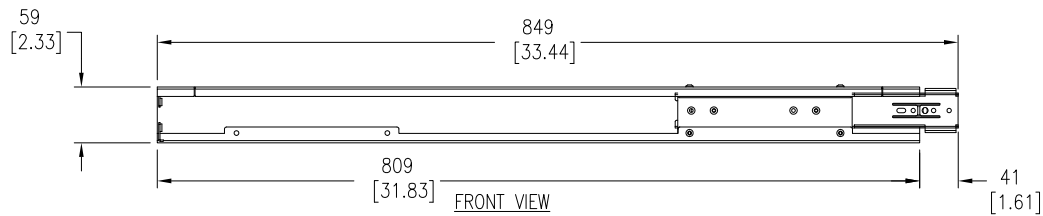
TITLE:  
Eco-Aisle (TM) Aisle Containment System  
ROOF HEIGHT ADAPTER (VX-SX)  
CROSS BRACE-ACDC2511  
PROJECT: SUBMITTAL DRAWINGS SHEET 5 OF 7

DWG NO:	ACDC2510-2511	REV:	0
DRAWN BY:	K.NAGENDRA	01-JUL-13	FIRST
ENGINEER:	JASON LI/MARK MENG	01-JUL-13	ANGLE
APPROVED BY:	AARON GRAFF	01-JUL-13	PROJ

SIDE BRACE-ACDC2510 (LEFT & RIGHT) (Qty. - 2No's/unit)



SIDE BRACE-ACDC2511 (LEFT & RIGHT) (Qty. - 2No's/unit)



NOTES:

1. COMPLY WITH ALL APPLICABLE NATIONAL AND LOCAL ELECTRICAL REGULATIONS.
2. REFER TO PRODUCT DOCUMENTATION FOR ADDITIONAL DETAILS PRIOR TO INSTALLATION AND SITE PREPARATION WORK.
3. ALL DIMENSIONS ARE IN MILLIMETERS [INCHES].

THIS DRAWING AND SPECIFICATIONS HEREIN ARE THE PROPERTY OF SCHNEIDER ELECTRIC AND SHALL NOT BE COPIED, REPRODUCED OR USED IN WHOLE OR IN PART, AS THE BASIS FOR THE MANUFACTURE OR SALE OF ITEMS WITHOUT WRITTEN PERMISSION FROM SCHNEIDER ELECTRIC. THIS DRAWING IS BASED UPON LATEST AVAILABLE INFORMATION AND IS SUBJECT TO CHANGE WITHOUT NOTICE.



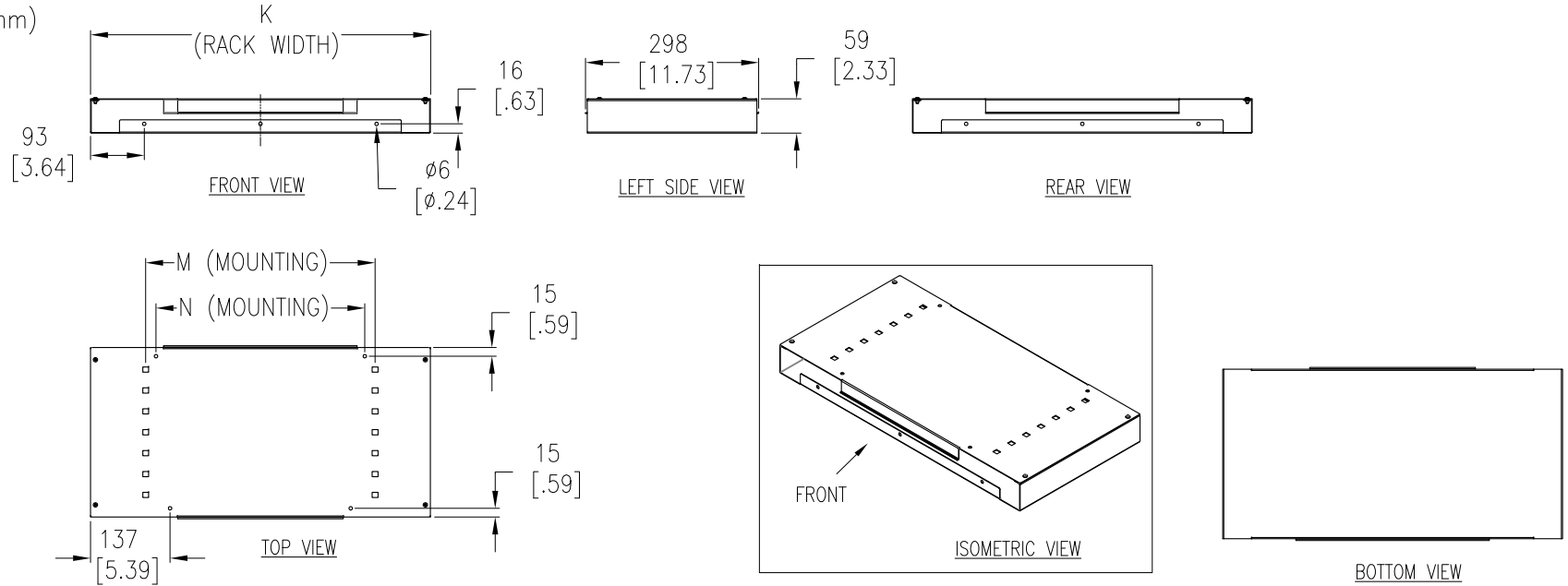
TITLE:  
Eco-Aisle (TM) Aisle Containment System  
ROOF HEIGHT ADAPTER (VX-SX)  
SIDE BRACES

PROJECT: SUBMITTAL DRAWINGS SHEET 6 OF 7

DWG NO:	ACDC2510-2511	REV.	0
DRAWN BY:	K.NAGENDRA	01-JUL-13	FIRST ANGLE
ENGINEER:	JASON LI/MARK MENG	01-JUL-13	PROJ
APPROVED BY:	AARON GRAFF	01-JUL-13	

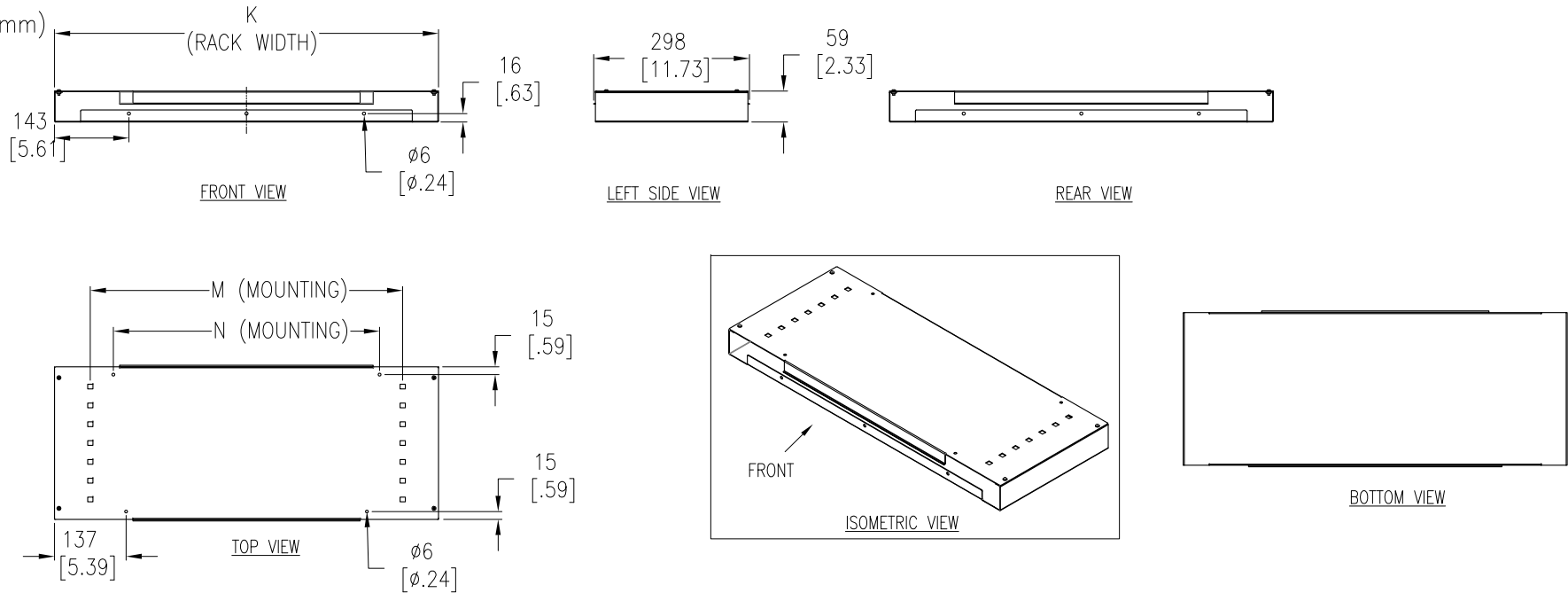
EXTENSION – 600mm RACK

(DEPTH=170mm/300mm)



EXTENSION – 750mm RACK

(DEPTH=170mm/300mm)



**NOTES:**

1. COMPLY WITH ALL APPLICABLE NATIONAL AND LOCAL ELECTRICAL REGULATIONS.
2. REFER TO PRODUCT DOCUMENTATION FOR ADDITIONAL DETAILS PRIOR TO INSTALLATION AND SITE PREPARATION WORK.
3. ALL DIMENSIONS ARE IN MILLIMETERS [INCHES].

THIS DRAWING AND SPECIFICATIONS HEREIN ARE THE PROPERTY OF SCHNEIDER ELECTRIC AND SHALL NOT BE COPIED, REPRODUCED OR USED IN WHOLE OR IN PART, AS THE BASIS FOR THE MANUFACTURE OR SALE OF ITEMS WITHOUT WRITTEN PERMISSION FROM SCHNEIDER ELECTRIC. THIS DRAWING IS BASED UPON LATEST AVAILABLE INFORMATION AND IS SUBJECT TO CHANGE WITHOUT NOTICE.



TITLE:  
Eco-Aisle (TM) Aisle Containment System  
ROOF HEIGHT ADAPTER (VX-SX)  
EXTENSION PANEL

PROJECT: SUBMITTAL DRAWINGS SHEET 7 OF 7

DWG NO:	ACDC2510-2511	REV.	0
DRAWN BY:	K.NAGENDRA	01-JUL-13	FIRST
ENGINEER:	JASON LI/MARK MENG	01-JUL-13	ANGLE
APPROVED BY:	AARON GRAFF	01-JUL-13	PROJ