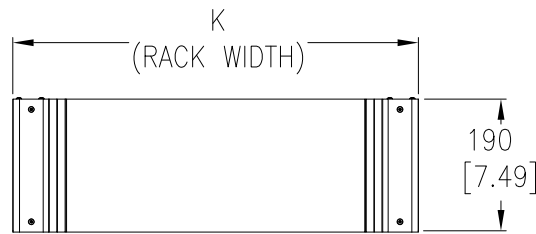
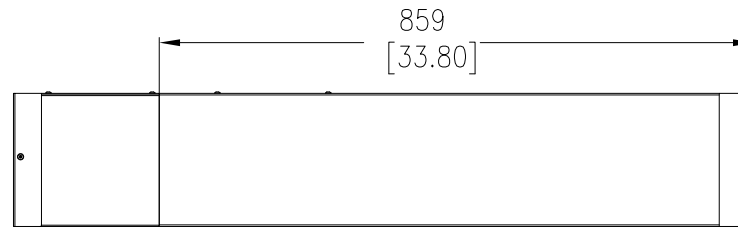


TYPICAL ARRANGEMENT- ROOF HEIGHT ADAPTER (VX-SX)

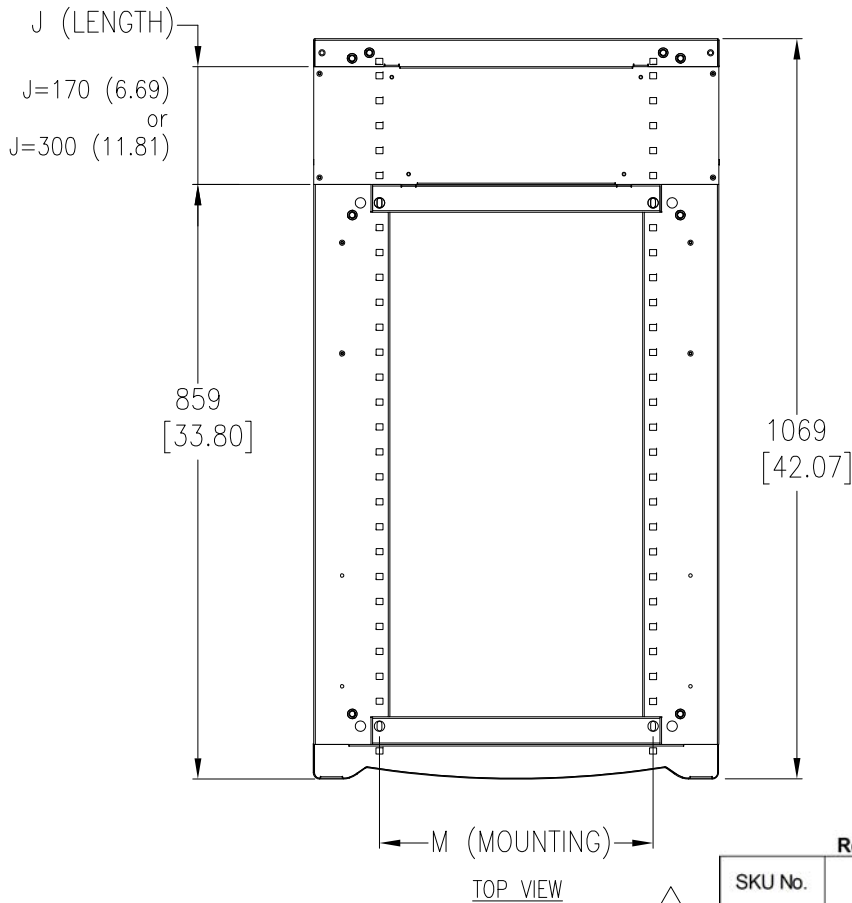
ACDC2517



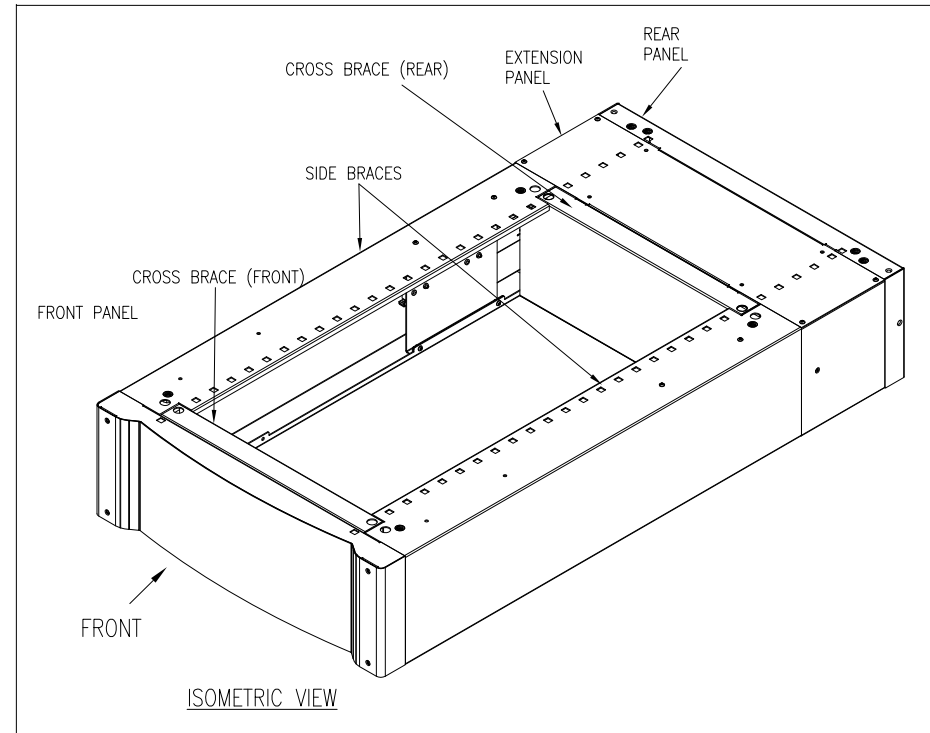
FRONT VIEW



LEFT SIDE VIEW



TOP VIEW



ISOMETRIC VIEW

Roof Height Adapter Details

SKU No.	Rack Type	K (Rack Width)	R (Rack Depth)	R (Rack Depth)	Mounting	Weight, kg (lbs)
			J=170mm Extension	J=300mm Extension		
ACDC2517	VX42U-SX48U, 600mm	585 (23.03)	1069 (42.09)	1191 (46.89)	M (hole to hole)	25.15 (35.11)

NOTES:

1. COMPLY WITH ALL APPLICABLE NATIONAL AND LOCAL ELECTRICAL REGULATIONS.
2. REFER TO PRODUCT DOCUMENTATION FOR ADDITIONAL DETAILS PRIOR TO INSTALLATION AND SITE PREPARATION WORK.
3. ALL DIMENSIONS ARE IN MILLIMETERS [INCHES].
- △ 4. NET WEIGHT OF UNIT-REFER TO TABLE
- △ 5. TYPICAL ARRANGEMENT SHOWN FOR ROOF HEIGHT ADAPTER (VX-SX)-170mm(6.69in) CONFIGURATION.

THIS DRAWING AND SPECIFICATIONS HEREIN ARE THE PROPERTY OF SCHNEIDER ELECTRIC AND SHALL NOT BE COPIED, REPRODUCED OR USED IN WHOLE OR IN PART, AS THE BASIS FOR THE MANUFACTURE OR SALE OF ITEMS WITHOUT WRITTEN PERMISSION FROM SCHNEIDER ELECTRIC. THIS DRAWING IS BASED UPON LATEST AVAILABLE INFORMATION AND IS SUBJECT TO CHANGE WITHOUT NOTICE.



TITLE:
Eco-Aisle (TM) Aisle Containment System
ROOF HEIGHT ADAPTER (VX-SX)
ASSEMBLY-ACDC2517

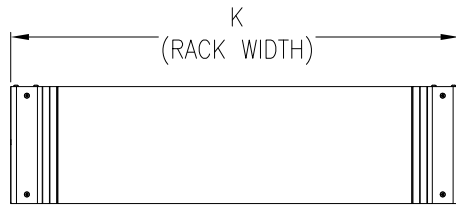
PROJECT: SUBMITTAL DRAWINGS SHEET 1 OF 7

DWG NO:	ACDC2517-2518	REV.	0
DRAWN BY:	K.NAGENDRA	27-JUN-13	FIRST
ENGINEER:	JASON LI/MARK MENG	27-JUN-13	ANGLE
APPROVED BY:	YAARON GRAFF	27-JUN-13	PROJ

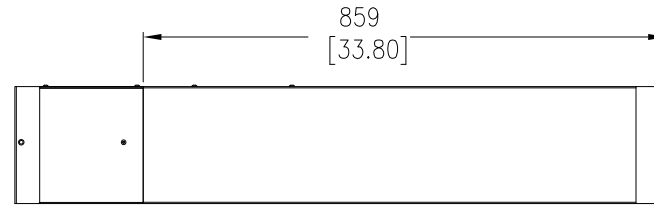


TYPICAL ARRANGEMENT- ROOF HEIGHT ADAPTER (VX-SX)

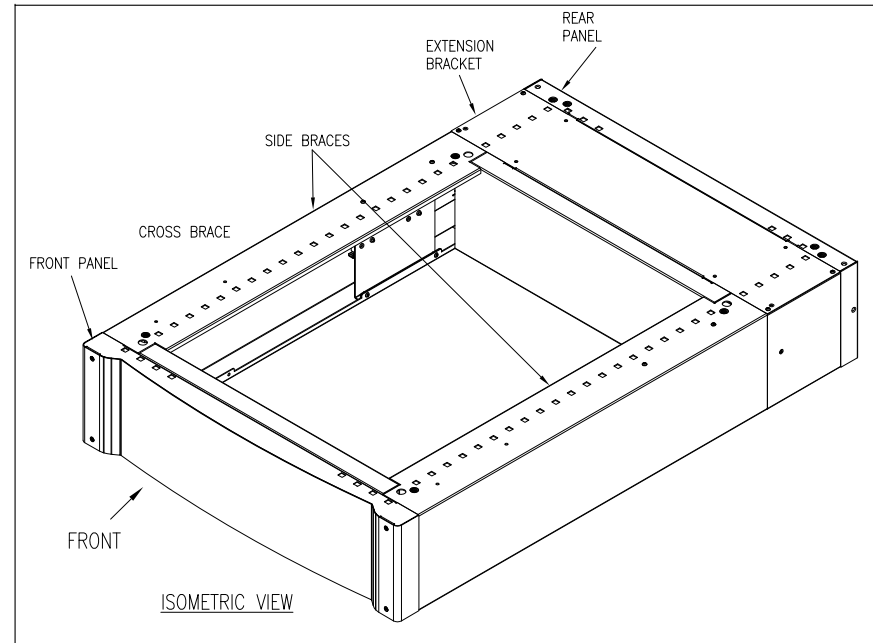
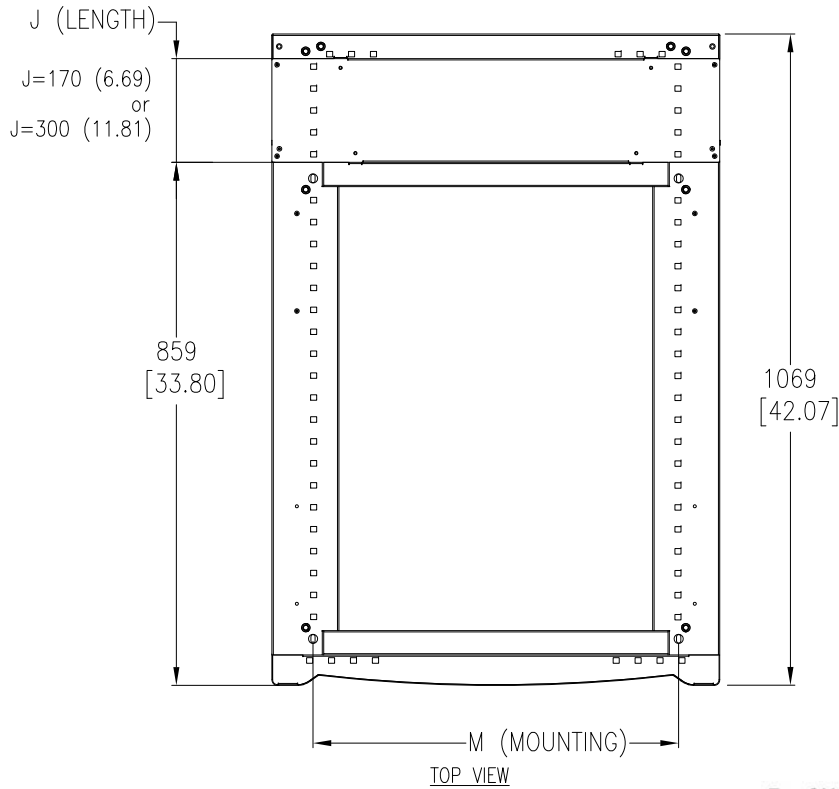
ACDC2518



FRONT VIEW



LEFT SIDE VIEW



ISOMETRIC VIEW

Roof Height Adapter Details

SKU No.	Rack Type	K (Rack Width)	R (Rack Depth)	R (Rack Depth)	Mounting	Weight, kg (lbs)
			J=170mm Extension	J=300mm Extension		
ACDC2518	VX42U-SX48U, 750mm	735(28.94)	1069 (42.09)	1191 (46.89)	M (hole to hole)	28.33 (62.33)

5

NOTES:

1. COMPLY WITH ALL APPLICABLE NATIONAL AND LOCAL ELECTRICAL REGULATIONS.
2. REFER TO PRODUCT DOCUMENTATION FOR ADDITIONAL DETAILS PRIOR TO INSTALLATION AND SITE PREPARATION WORK.
3. ALL DIMENSIONS ARE IN MILLIMETERS [INCHES].
4. NET WEIGHT OF UNIT-REFER TO TABLE
5. TYPICAL ARRANGEMENT SHOWN FOR ROOF HEIGHT ADAPTER (VX-SX)-170mm(6.69in) CONFIGURATION.

THIS DRAWING AND SPECIFICATIONS HEREIN ARE THE PROPERTY OF SCHNEIDER ELECTRIC AND SHALL NOT BE COPIED, REPRODUCED OR USED IN WHOLE OR IN PART, AS THE BASIS FOR THE MANUFACTURE OR SALE OF ITEMS WITHOUT WRITTEN PERMISSION FROM SCHNEIDER ELECTRIC. THIS DRAWING IS BASED UPON LATEST AVAILABLE INFORMATION AND IS SUBJECT TO CHANGE WITHOUT NOTICE.



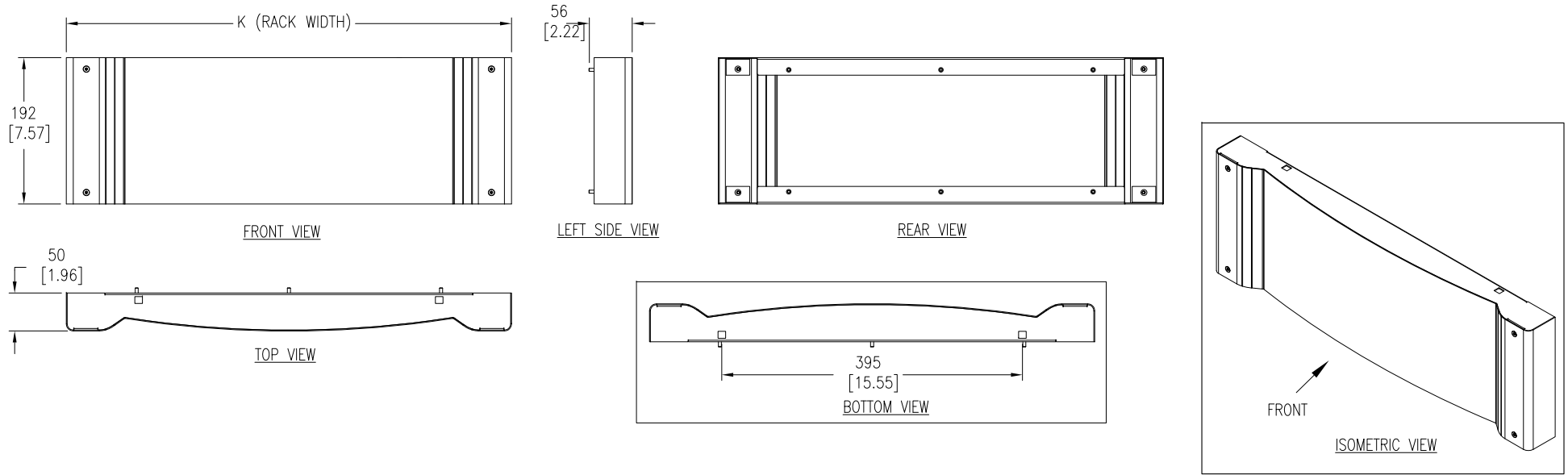
TITLE:
Eco-Aisle (TM) Aisle Containment System
ROOF HEIGHT ADAPTER (VX-SX)
ASSEMBLY-ACDC2518
PROJECT: SUBMITTAL DRAWINGS SHEET 2 OF 7

DWG NO:	ACDC2517-2518	REV.	0
DRAWN BY:	K.NAGENDRA	27-JUN-13	FIRST
ENGINEER:	JASON LI/MARK MENG	27-JUN-13	ANGLE
APPROVED BY:	AARON GRAFF	27-JUN-13	PROJ

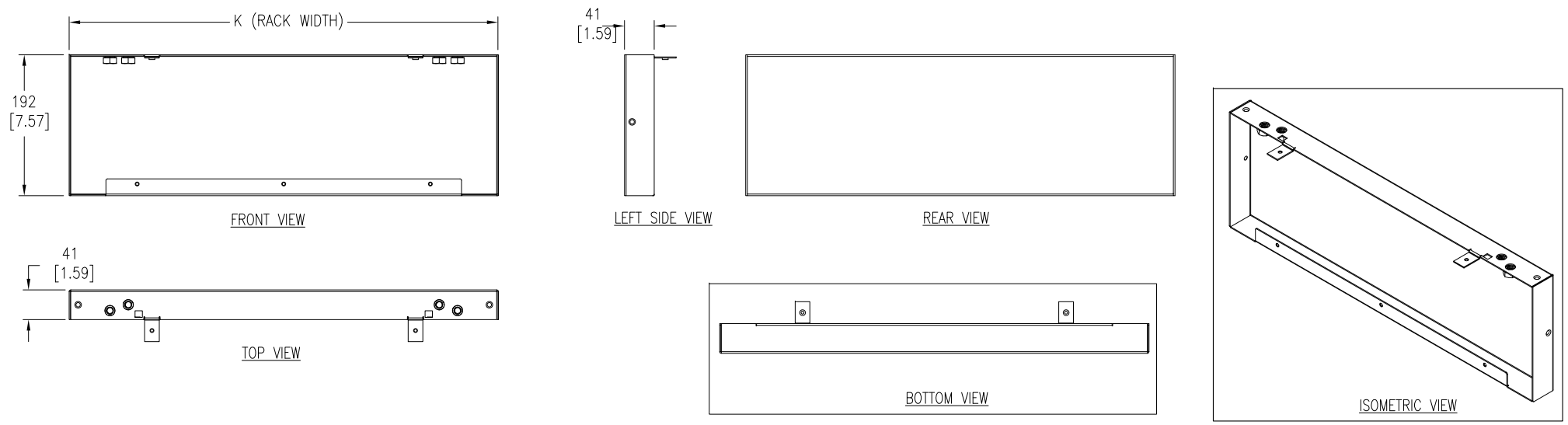
4

ACDC2517-2518

ADAPTER FRONT PANEL



ADAPTER REAR PANEL



NOTES:

1. COMPLY WITH ALL APPLICABLE NATIONAL AND LOCAL ELECTRICAL REGULATIONS.
2. REFER TO PRODUCT DOCUMENTATION FOR ADDITIONAL DETAILS PRIOR TO INSTALLATION AND SITE PREPARATION WORK.
3. ALL DIMENSIONS ARE IN MILLIMETERS [INCHES].

THIS DRAWING AND SPECIFICATIONS HEREIN ARE THE PROPERTY OF SCHNEIDER ELECTRIC AND SHALL NOT BE COPIED, REPRODUCED OR USED IN WHOLE OR IN PART, AS THE BASIS FOR THE MANUFACTURE OR SALE OF ITEMS WITHOUT WRITTEN PERMISSION FROM SCHNEIDER ELECTRIC. THIS DRAWING IS BASED UPON LATEST AVAILABLE INFORMATION AND IS SUBJECT TO CHANGE WITHOUT NOTICE.



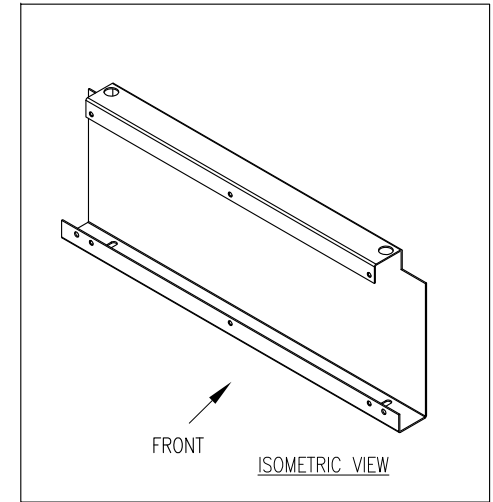
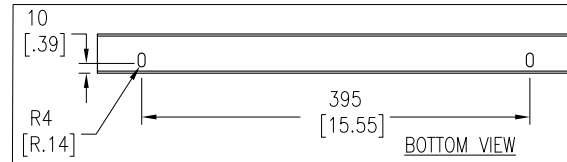
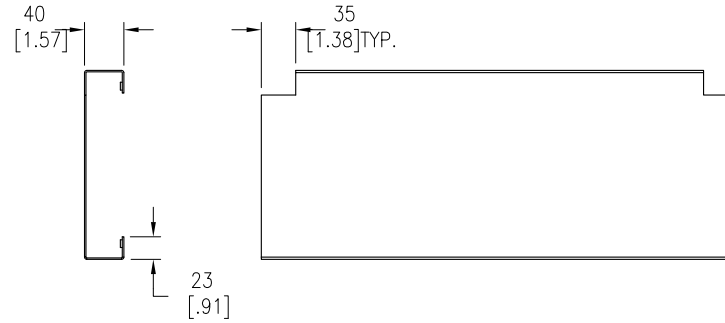
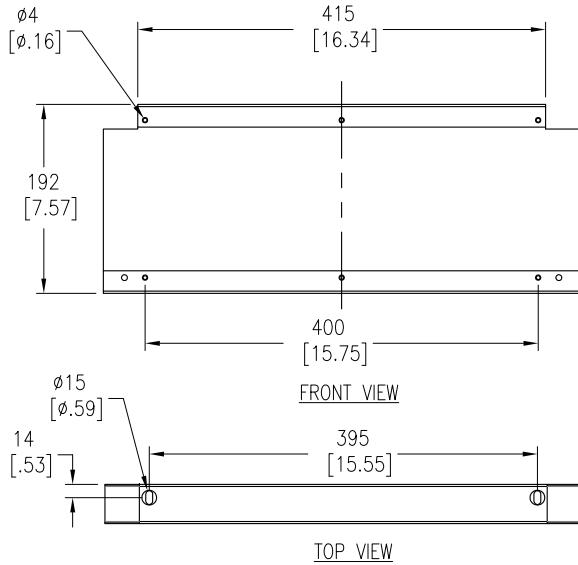
TITLE:
Eco-Aisle (TM) Aisle Containment System
ROOF HEIGHT ADAPTER (VX-SX)
FRONT AND REAR PANEL

PROJECT: SUBMITTAL DRAWINGS SHEET 3 OF 7

DWG NO:	ACDC2517-2518	REV:	0
DRAWN BY:	K.NAGENDRA	27-JUN-13	FIRST
ENGINEER:	JASON LI/MARK MENG	27-JUN-13	ANGLE
APPROVED BY:	AARON GRAFF	27-JUN-13	PROJ

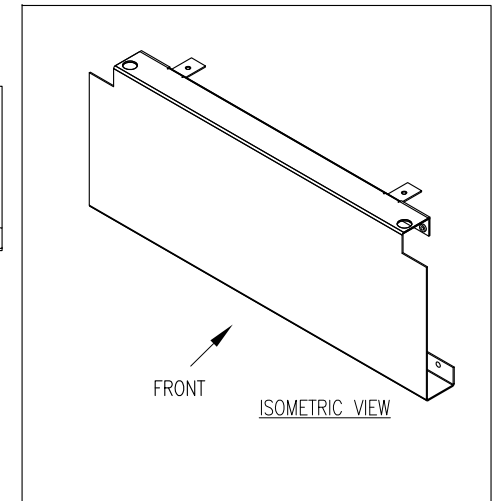
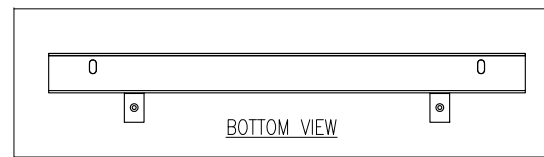
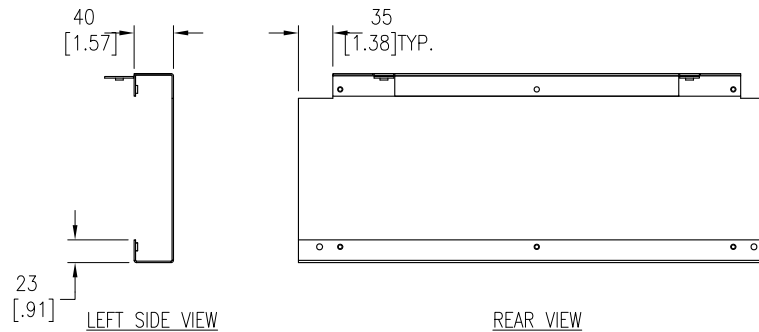
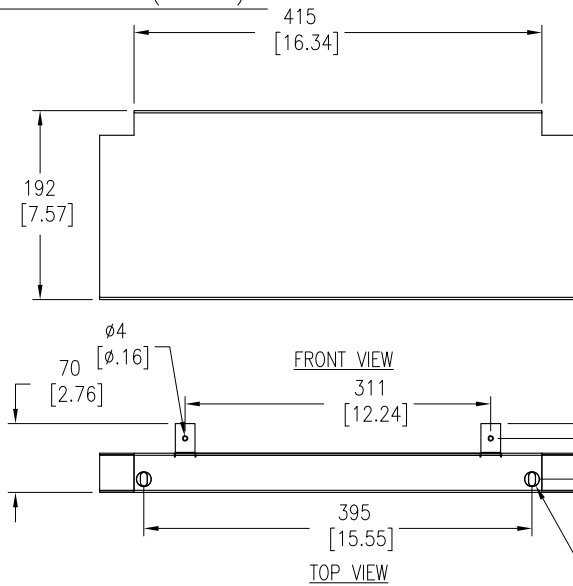
CROSS BRACE (FRONT)

ACDC2517



CROSS BRACE (REAR)

ACDC2517



NOTES:

1. COMPLY WITH ALL APPLICABLE NATIONAL AND LOCAL ELECTRICAL REGULATIONS.
2. REFER TO PRODUCT DOCUMENTATION FOR ADDITIONAL DETAILS PRIOR TO INSTALLATION AND SITE PREPARATION WORK.
3. ALL DIMENSIONS ARE IN MILLIMETERS [INCHES].

THIS DRAWING AND SPECIFICATIONS HEREIN ARE THE PROPERTY OF SCHNEIDER ELECTRIC AND SHALL NOT BE COPIED, REPRODUCED OR USED IN WHOLE OR IN PART, AS THE BASIS FOR THE MANUFACTURE OR SALE OF ITEMS WITHOUT WRITTEN PERMISSION FROM SCHNEIDER ELECTRIC. THIS DRAWING IS BASED UPON LATEST AVAILABLE INFORMATION AND IS SUBJECT TO CHANGE WITHOUT NOTICE.



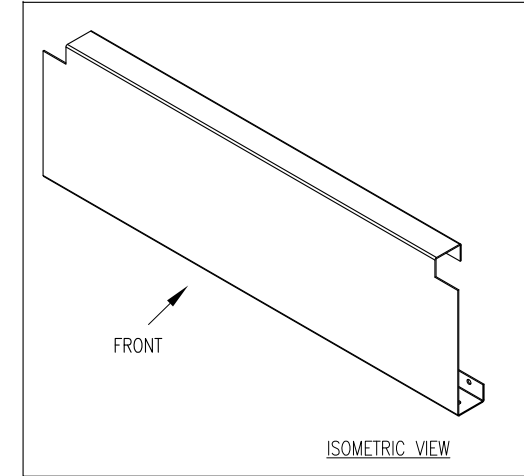
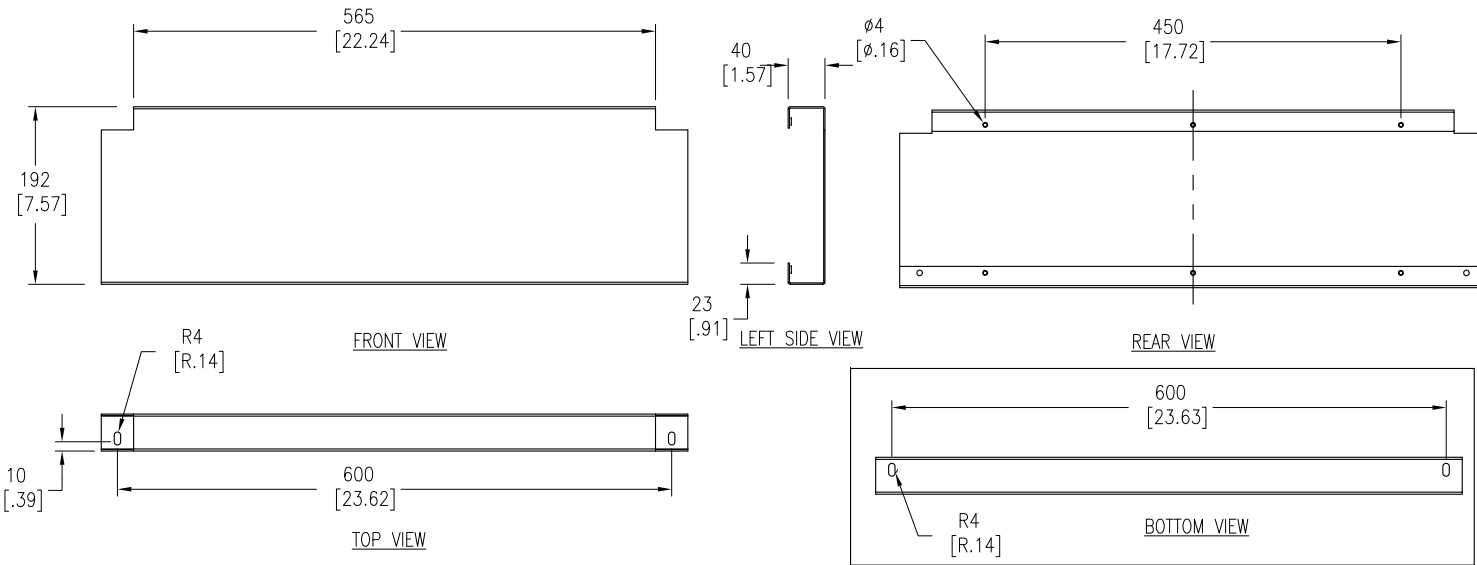
TITLE:
Eco-Aisle (TM) Aisle Containment System
ROOF HEIGHT ADAPTER (VX-SX)
CROSS BRACE-ACDC2517

PROJECT: SUBMITTAL DRAWINGS SHEET 4 OF 7

DWG NO:	ACDC2517-2518	REV:	0
DRAWN BY:	K.NAGENDRA	27-JUN-13	FIRST
ENGINEER:	JASON LI/MARK MENG	27-JUN-13	ANGLE
APPROVED BY:	AARON GRAFF	27-JUN-13	PROJ

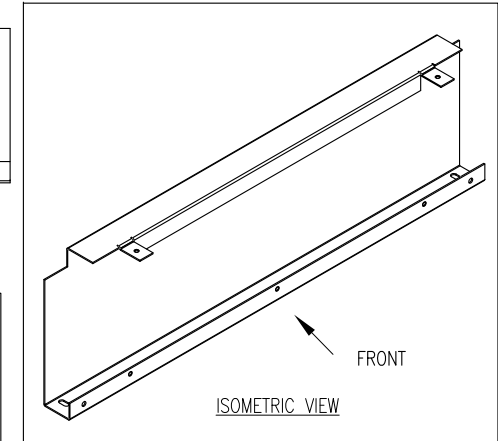
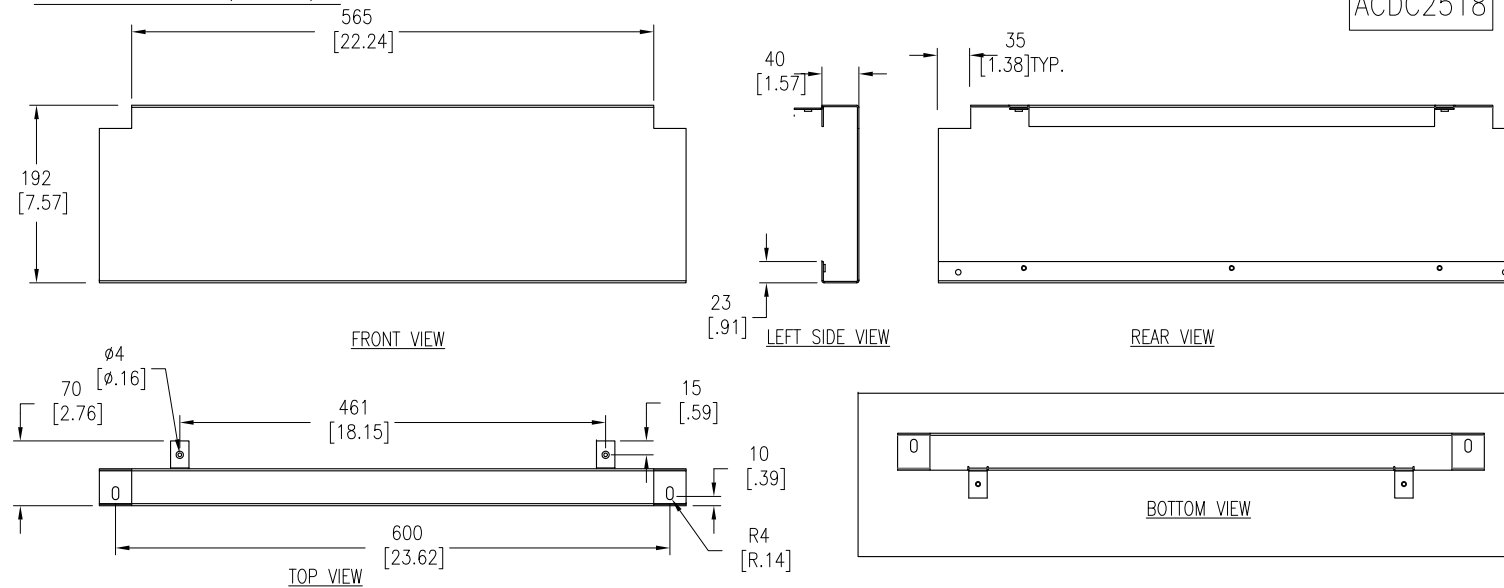
CROSS BRACE (FRONT)

ACDC2518



CROSS BRACE (REAR)

ACDC2518



NOTES:

1. COMPLY WITH ALL APPLICABLE NATIONAL AND LOCAL ELECTRICAL REGULATIONS.
2. REFER TO PRODUCT DOCUMENTATION FOR ADDITIONAL DETAILS PRIOR TO INSTALLATION AND SITE PREPARATION WORK.
3. ALL DIMENSIONS ARE IN MILLIMETERS [INCHES].

THIS DRAWING AND SPECIFICATIONS HEREIN ARE THE PROPERTY OF SCHNEIDER ELECTRIC AND SHALL NOT BE COPIED, REPRODUCED OR USED IN WHOLE OR IN PART, AS THE BASIS FOR THE MANUFACTURE OR SALE OF ITEMS WITHOUT WRITTEN PERMISSION FROM SCHNEIDER ELECTRIC. THIS DRAWING IS BASED UPON LATEST AVAILABLE INFORMATION AND IS SUBJECT TO CHANGE WITHOUT NOTICE.

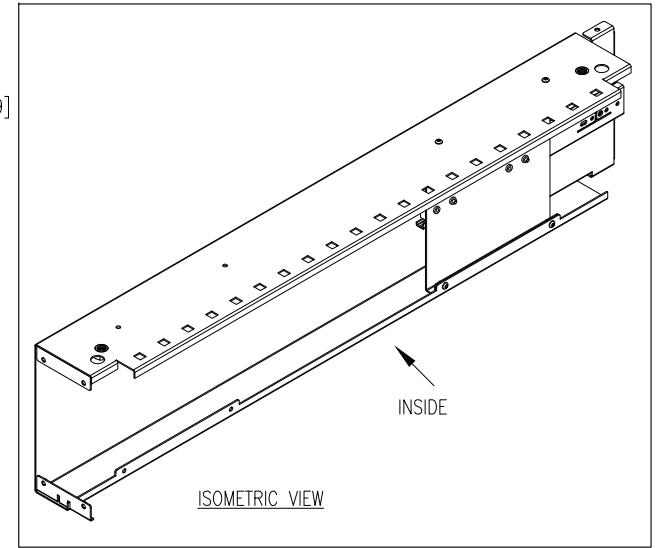
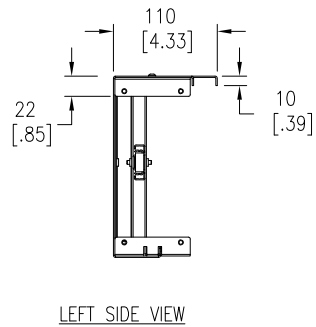
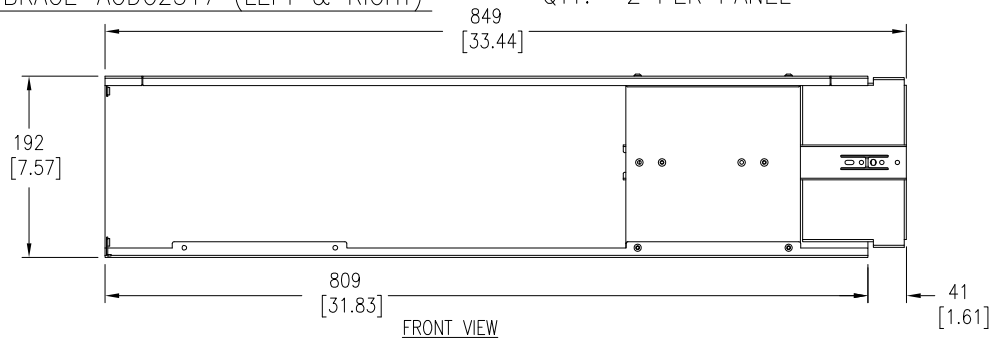


TITLE:
Eco-Aisle (TM) Aisle Containment System
ROOF HEIGHT ADAPTER (VX-SX)
CROSS BRACE-ACDC2518

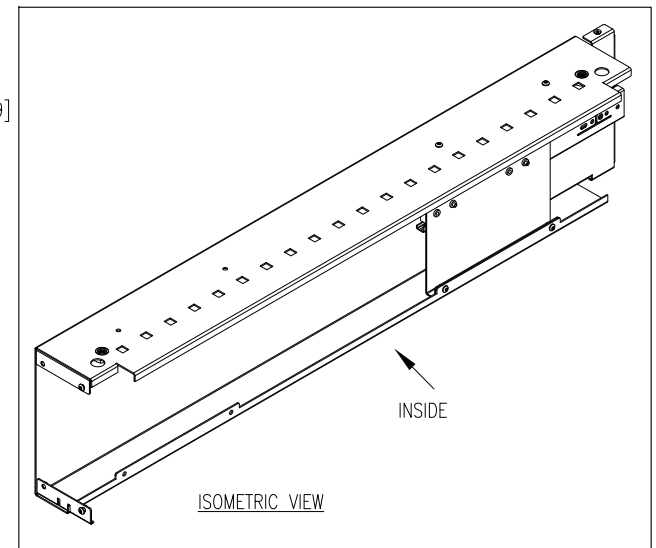
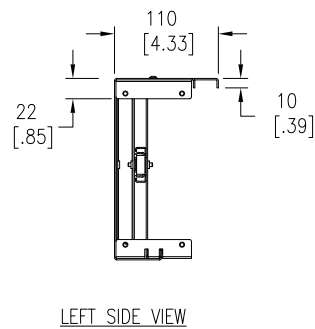
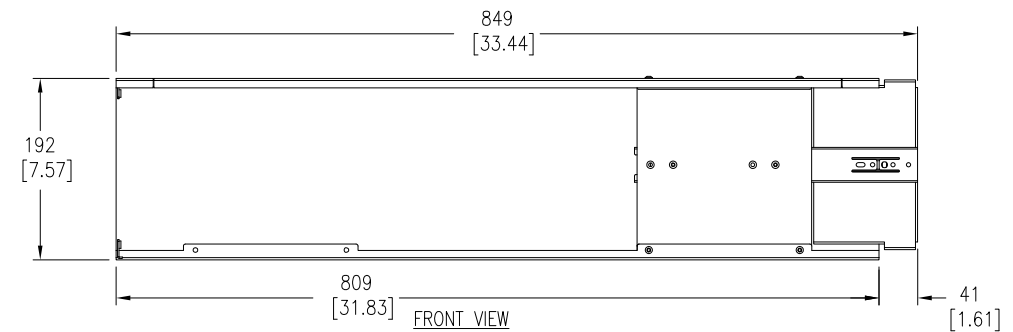
PROJECT: SUBMITTAL DRAWINGS SHEET 5 OF 7

DWG NO:	ACDC2517-2518	REV:	0
DRAWN BY:	K.NAGENDRA	27-JUN-13	FIRST
ENGINEER:	JASON LI/MARK MENG	27-JUN-13	ANGLE
APPROVED BY:	AARON GRAFF	27-JUN-13	PROJ

SIDE BRACE-ACDC2517 (LEFT & RIGHT) QTY.- 2 PER PANEL



SIDE BRACE-ACDC2518 (LEFT & RIGHT) QTY.- 2 PER PANEL



NOTES:

1. COMPLY WITH ALL APPLICABLE NATIONAL AND LOCAL ELECTRICAL REGULATIONS.
2. REFER TO PRODUCT DOCUMENTATION FOR ADDITIONAL DETAILS PRIOR TO INSTALLATION AND SITE PREPARATION WORK.
3. ALL DIMENSIONS ARE IN MILLIMETERS [INCHES].

THIS DRAWING AND SPECIFICATIONS HEREIN ARE THE PROPERTY OF SCHNEIDER ELECTRIC AND SHALL NOT BE COPIED, REPRODUCED OR USED IN WHOLE OR IN PART, AS THE BASIS FOR THE MANUFACTURE OR SALE OF ITEMS WITHOUT WRITTEN PERMISSION FROM SCHNEIDER ELECTRIC. THIS DRAWING IS BASED UPON LATEST AVAILABLE INFORMATION AND IS SUBJECT TO CHANGE WITHOUT NOTICE.



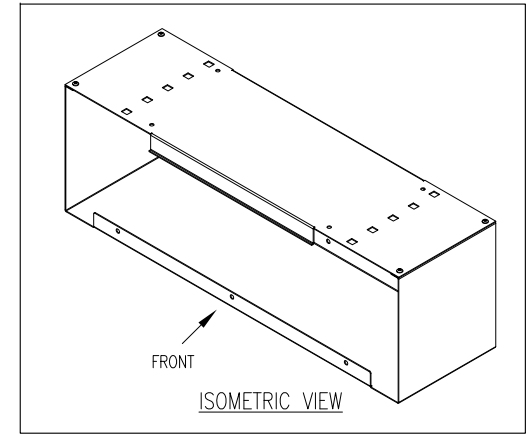
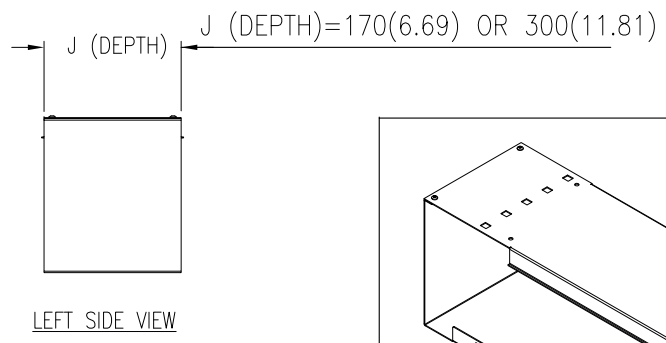
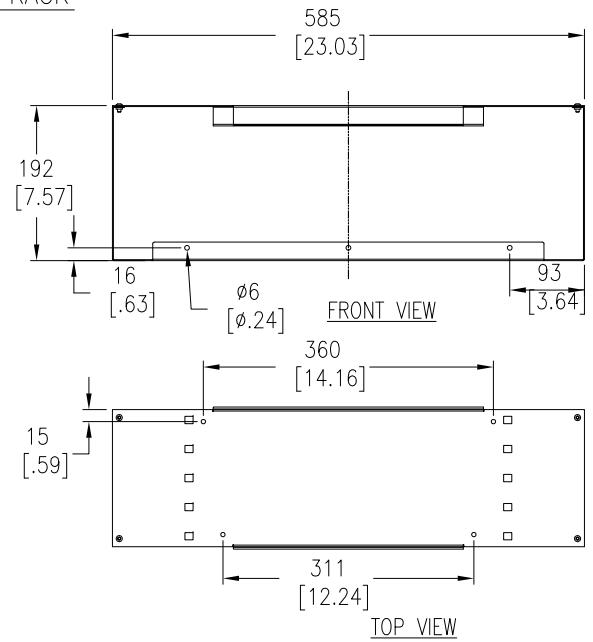
TITLE:
Eco-Aisle (TM) Aisle Containment System
ROOF HEIGHT ADAPTER (VX-SX)
SIDE BRACE

PROJECT: SUBMITTAL DRAWINGS SHEET 6 OF 7

DWG NO:	ACDC2517-2518	REV:	0
DRAWN BY:	K.NAGENDRA	27-JUN-13	FIRST
ENGINEER:	JASON LI/MARK MENG	27-JUN-13	ANGLE
APPROVED BY:	AARON GRAFF	27-JUN-13	PROJ

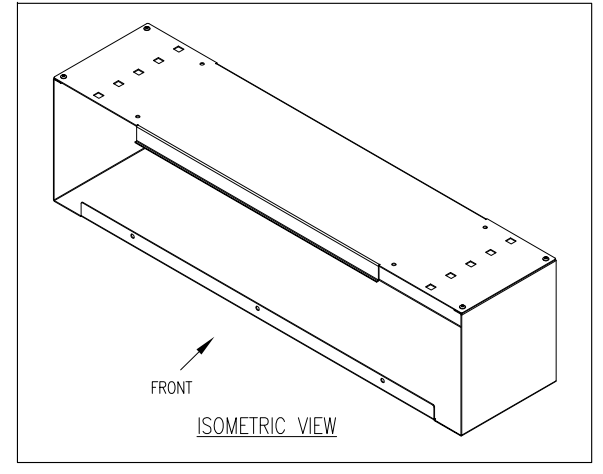
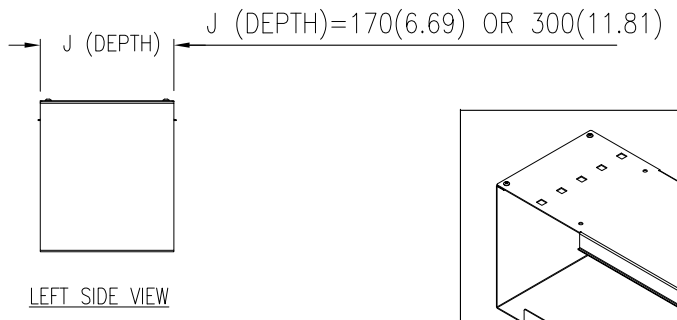
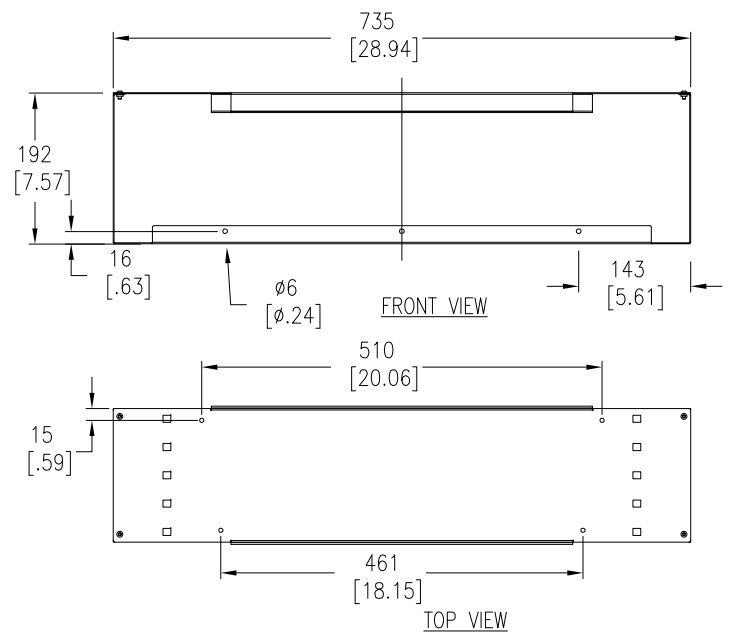
EXTENSION – 600mm RACK

ACDC2517-2518



EXTENSION – 750mm RACK

ACDC2517-2518



NOTES:

1. COMPLY WITH ALL APPLICABLE NATIONAL AND LOCAL ELECTRICAL REGULATIONS.
2. REFER TO PRODUCT DOCUMENTATION FOR ADDITIONAL DETAILS PRIOR TO INSTALLATION AND SITE PREPARATION WORK.
3. ALL DIMENSIONS ARE IN MILLIMETERS [INCHES].

THIS DRAWING AND SPECIFICATIONS HEREIN ARE THE PROPERTY OF SCHNEIDER ELECTRIC AND SHALL NOT BE COPIED, REPRODUCED OR USED IN WHOLE OR IN PART, AS THE BASIS FOR THE MANUFACTURE OR SALE OF ITEMS WITHOUT WRITTEN PERMISSION FROM SCHNEIDER ELECTRIC. THIS DRAWING IS BASED UPON LATEST AVAILABLE INFORMATION AND IS SUBJECT TO CHANGE WITHOUT NOTICE.



TITLE:
Eco-Aisle (TM) Aisle Containment System
ROOF HEIGHT ADAPTER (VX-SX)
EXTENSION PANELS

PROJECT: SUBMITTAL DRAWINGS SHEET 7 OF 7

DWG NO:	ACDC2517-2518	REV.	0
DRAWN BY:	K.NAGENDRA	27-JUN-13	FIRST
ENGINEER:	JASON LI/MARK MENG	27-JUN-13	ANGLE
APPROVED BY:	AARON GRAFF	27-JUN-13	PROJ