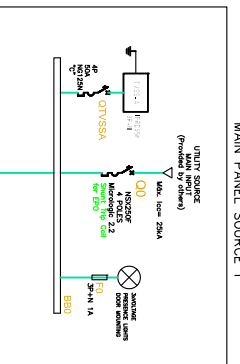


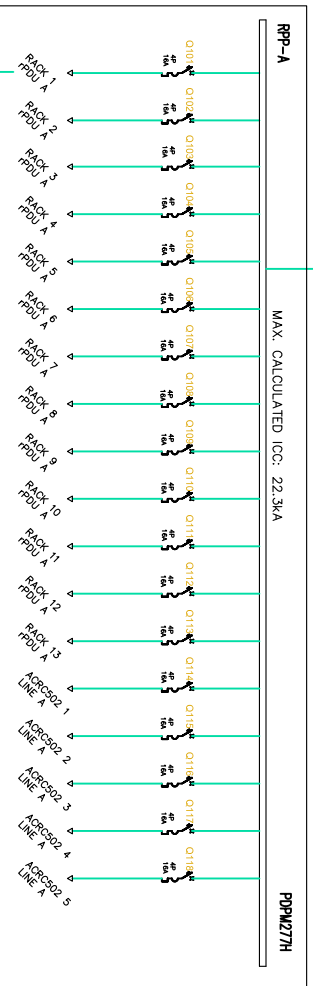
DEVICE RATING

DEVICE	RATING	TYPE	MAKE	MODEL	ACCESSORIES
00.000	250A Micro 2.2, 690VAC	SEE NOTE-4	Schneider Electric	MSX250F	SHUNT TRIP COIL
RPP	250A, 690Vdc		Schneider Electric	PPDM277H	
Panel Source 1	254A, 630A	PRISMA G Rail Mounting	Schneider Electric	Prisma G	VOLTAGE PRESENCE LIGHTS
Panel Source 2	254A, 630A	PRISMA G Rail Mounting	Schneider Electric	Prisma G	VOLTAGE PRESENCE LIGHTS

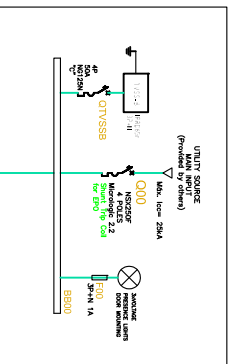
MAIN PANEL SOURCE 1



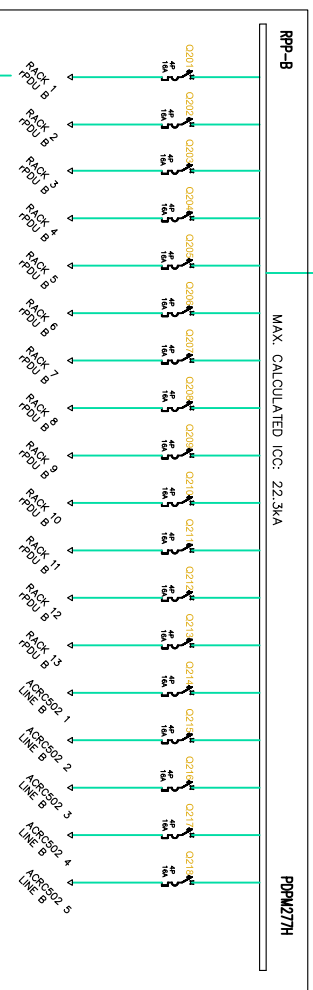
RPP-A MAX. CALCULATED ICC: 22.3KA



MAIN PANEL SOURCE 2



RPP-B MAX. CALCULATED ICC: 22.3KA



- NOTES:
1. INSTALLATION SHALL COMPLY WITH ALL APPLICABLE LOCAL AND NATIONAL CODES.
  2. PLEASE REFER TO PRODUCT MANUALS FOR ADDITIONAL DETAILS.
  3. DRAWING DEPICTS POWER SYSTEM CONNECTIONS AND IS NOT REPRESENTATIVE OF PHYSICAL LAYOUT. PLEASE REFER TO MECHANICAL DRAWINGS FOR PHYSICAL LAYOUT.
  4. TN-S GROUNDING SYSTEM, 400/230Vac. THIS DRAWING IS REPRESENTATIVE FOR NATIONAL CODES IN WHICH IT IS MANDATORY NEUTRAL PROTECTION. (CONTACT SCHNEIDER ELECTRIC IF OTHER). AC SOURCE TO BE 400VAC 3PH 3 WIRE+NEUTRAL+GROUND. (CONTACT SCHNEIDER ELECTRIC IF OTHER). CABLING COLOUR CODE: L1= BROWN, L2=BLACK, L3=GREY, N=BLUE, GND=YELLOW/GREEN STRIPE.
  5. MAXIMUM AVAILABLE FAULT CURRENT IS 25KAC AT ENTRANCE POINT.
  6. ALL AC POWER CABLING TO BE 1000V RATED.
  7. RACK FRAME AND SKINS ARE ELECTRICALLY CONNECTED AND TIED TO CHASSIS GROUND.
  8. THE GROUNDING ELECTRODE CONDUCTOR IS PROVIDED BY OTHERS.
  9. QUALITY OF ENERGY SUPPLIED BY OTHERS SHALL COMPLY WITH EN-50160 REQUIREMENTS.
  10. STANDARD FOR CABLING CALCULATION REGARDING IEC 364

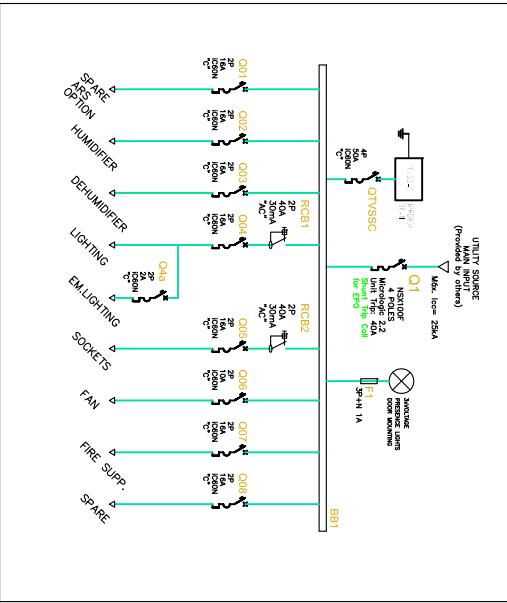
THIS DRAWING AND SPECIFICATIONS HEREIN ARE THE PROPERTY OF SCHNEIDER ELECTRIC AND SHALL NOT BE COPIED, REPRODUCED OR USED IN WHOLE OR IN PART, AS THE BASIS FOR THE MANUFACTURE OR SALE OF TEAMS WITHOUT WRITTEN PERMISSION FROM SCHNEIDER ELECTRIC. THIS DRAWING IS BASED UPON LATEST AVAILABLE INFORMATION AND IS SUBJECT TO CHANGE WITHOUT NOTICE.



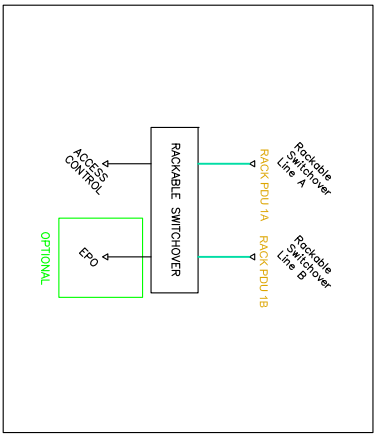
TITLE:	DWG NO:	REV.
MODULAR DATACENTER INFRASTRUCTURE 110KW RPP EMEA SCHNEIDER ELECTRIC IT MODULE SYSTEM ONE LINE DIAGRAM	PFMEIA110C1E13B	1
ENGINEER: M. UHRHAN	DRAWN: M. UHRHAN	22 JUL 2014
APPROVED: M. UHRHAN	ENGINEER: M. UHRHAN	22 JUL 2014
PRODUCT: 110 RPP EMEA	PROJECT: 110 RPP EMEA	22 JUL 2014
SHEET: 1 OF 2		
		ANGLED PROJECTION N.A.

DEVICE RATING					
DEVICE	RATING	TYPE	MAKE	MODEL	ACCESSORIES
01	100A Micro 2.2 Trip unit 40A 6950VAC	SEE NOTE-4	Schneider Electric	NSX100F	SHUNT TRIP COIL
001 TO 08	140V, 16A	2 POLE Circuit Breakers	Schneider Electric	IC60N	
RCB1 & RCB2	400V, 40A 30mA	2 Pole RCB	Schneider Electric	ID	
Non Critical Panel	25kA, 630A	Wall Mounting Cabinet	Schneider Electric	Prisma G	VOLTAGE PRESENCE LIGHTS

NON CRITICAL PANEL



- NOTES:
1. INSTALLATION SHALL COMPLY WITH ALL APPLICABLE LOCAL AND NATIONAL CODES.
  2. PLEASE REFER TO PRODUCT MANUALS FOR ADDITIONAL DETAILS.
  3. DRAWING DEPICTS POWER SYSTEM CONNECTIONS AND IS NOT REPRESENTATIVE OF PHYSICAL LAYOUT. PLEASE REFER TO MECHANICAL DRAWINGS FOR PHYSICAL LAYOUT.
  4. TN-S GROUNDING SYSTEM. 400/230V<sub>ac</sub>. THIS DRAWING IS REPRESENTATIVE FOR NATIONAL CODES IN WHICH IT IS MANDATORY NEUTRAL PROTECTION. (CONTACT SCHNEIDER ELECTRIC IF OTHER).
  5. AC SOURCE TO BE 400VAC 3PH 3 WIRE+NEUTRAL+GROUND. (CONTACT SCHNEIDER ELECTRIC IF OTHER).
  6. ALL AC POWER CABLING TO BE 1000V RATED
  7. RACK FRAME AND SKINS ARE ELECTRICALLY CONNECTED AND TIED TO CHASSIS GROUND.
  8. THE GROUNDING ELECTRODE CONDUCTOR IS PROVIDED BY OTHERS.
  9. QUALITY OF ENERGY SUPPLIED BY OTHERS SHALL COMPLY WITH EN-50160 REQUIREMENTS.
  10. STANDARD FOR CABLING CALCULATION REGARDING IEC 364



THIS DRAWING AND SPECIFICATIONS HEREIN ARE THE PROPERTY OF SCHNEIDER ELECTRIC AND SHALL NOT BE COPIED, REPRODUCED OR USED IN WHOLE OR IN PART, AS THE BASIS FOR THE MANUFACTURE OR SALE OF ITEMS WITHOUT WRITTEN PERMISSION FROM SCHNEIDER ELECTRIC. THIS DRAWING IS BASED UPON LATEST AVAILABLE INFORMATION AND IS SUBJECT TO CHANGE WITHOUT NOTICE.



TITLE: MODULAR DATACENTER INFRASTRUCTURE 110kW RPP EMEA SCHNEIDER ELECTRIC IT MODULE SYSTEM ONE LINE DIAGRAM  
 PRODUCT: 110kW RPP EMEA SHEET 2 OF 2

DMG NO: PFMEIA110C1E13B REV: 1  
 DRAWN: M. UHRHAN 22 JUL 2014 ANGLE  
 ENGINEER: M. UHRHAN 22 JUL 2014 PROJECTION  
 APPROVED: M. UHRHAN 22 JUL 2014 N.A.

SHT	DRAWING NUMBER	REVISION									REVISION DESCRIPTION	REVISION INITIATED BY (eco/engr)	REVISION APPROVED BY	
		1	2	3	4	5	6	7	8	9				
1	PFMEA110C1E13B	1										RELEASE	M. UHRHAN	M. UHRHAN

NOTE:

△ FOR PREVIOUS REVISIONS,  
CONTACT CAD TEAM.

FILE: PFMEA110C1E13B_ELECTRICAL_ONELINE_REV01	INITIALLY DRAWN BY: M. UHRHAN	LAST FILE REV: 0
INITIAL RELEASE: 22 JUL 2014	INITIALLY APPROVED BY: M. UHRHAN	DATE: 22 JUL 2014

△