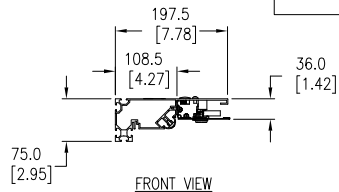


CEILING PANEL MOUNTING RAIL

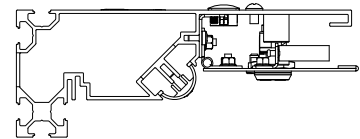
ACDC2000



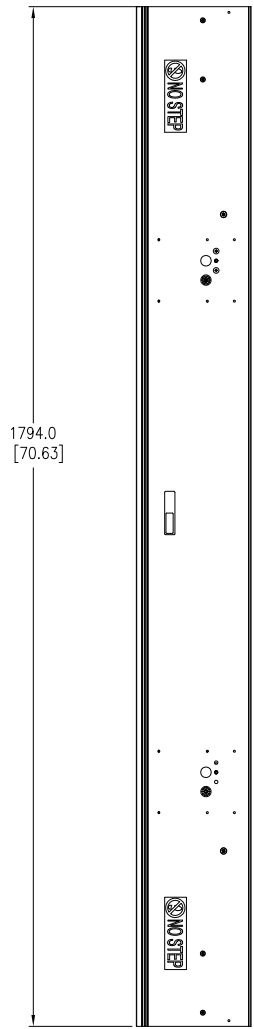
FRONT VIEW



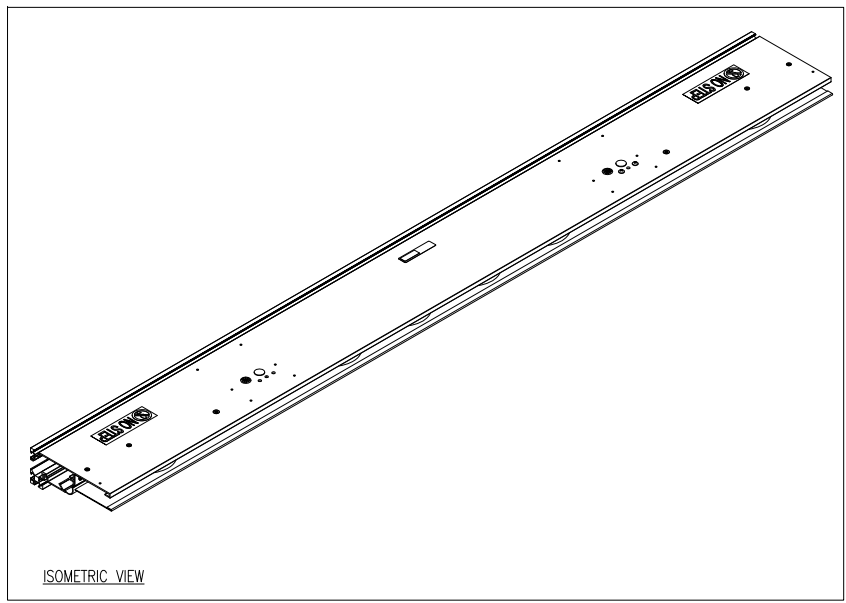
LEFT SIDE VIEW



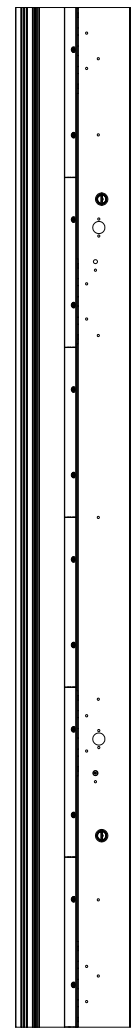
FRONT VIEW
(ENLARGED)



TOP VIEW



ISOMETRIC VIEW



BOTTOM VIEW

NOTES:

1. COMPLY WITH ALL APPLICABLE NATIONAL AND LOCAL ELECTRICAL REGULATIONS.
2. REFER TO PRODUCT DOCUMENTATION FOR ADDITIONAL DETAILS PRIOR TO INSTALLATION AND SITE PREPARATION WORK.
3. ALL DIMENSIONS ARE IN MILLIMETERS [INCHES].
4. NET WEIGHT (ALL BRACKETS INCLUDED) IS 6.21kg [13.67lbs]

THIS DRAWING AND SPECIFICATIONS HEREIN ARE THE PROPERTY OF SCHNEIDER ELECTRIC AND SHALL NOT BE COPIED, REPRODUCED OR USED IN WHOLE OR IN PART, AS THE BASIS FOR THE MANUFACTURE OR SALE OF ITEMS WITHOUT WRITTEN PERMISSION FROM SCHNEIDER ELECTRIC. THIS DRAWING IS BASED UPON LATEST AVAILABLE INFORMATION AND IS SUBJECT TO CHANGE WITHOUT NOTICE.

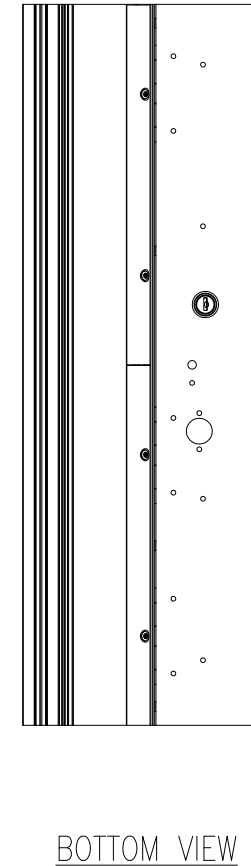
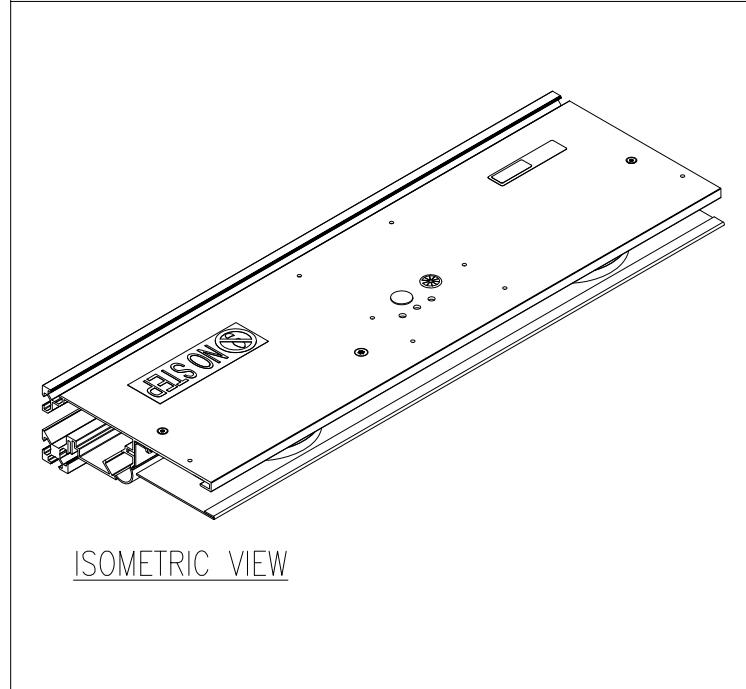
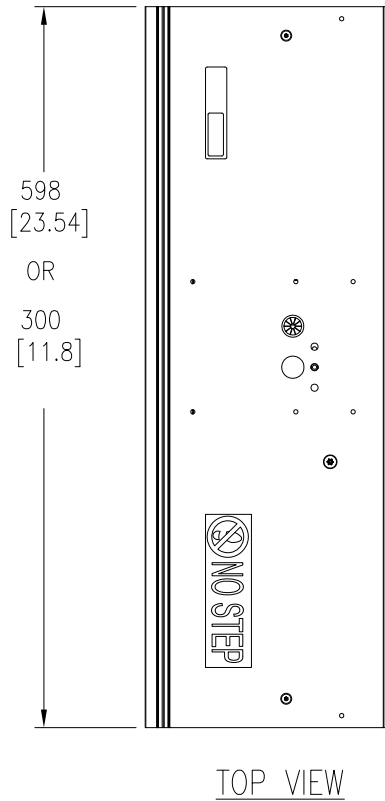
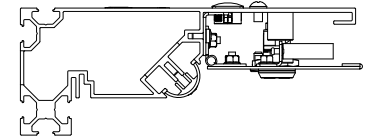
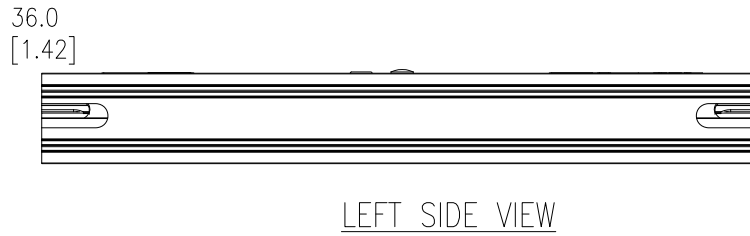
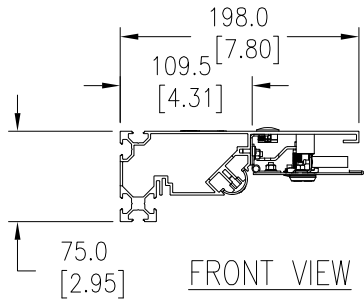


TITLE:	
Eco-Aisle (TM) Aisle Containment System CEILING PANEL ASSEMBLY-ACDC2000	
PROJECT: SUBMITTAL DRAWINGS	SHEET 1 OF 5

DWG NO:	ACDC2000-2002	REV.	0
DRAWN BY:	K.NAGENDRA	06-JAN-14	FIRST
ENGINEER:	RUSTIN SHI/MARK MENG	06-JAN-14	ANGLE
APPROVED BY:	AARON GRAFF	06-JAN-14	PROJ

CEILING PANEL MOUNTING RAIL

ACDC2001-2002



NOTES:

1. COMPLY WITH ALL APPLICABLE NATIONAL AND LOCAL ELECTRICAL REGULATIONS.
2. REFER TO PRODUCT DOCUMENTATION FOR ADDITIONAL DETAILS PRIOR TO INSTALLATION AND SITE PREPARATION WORK.
3. ALL DIMENSIONS ARE IN MILLIMETERS [INCHES].
4. NET WEIGHT (ALL BRACKETS INCLUDED) IS 6.21kg [13.67lbs]

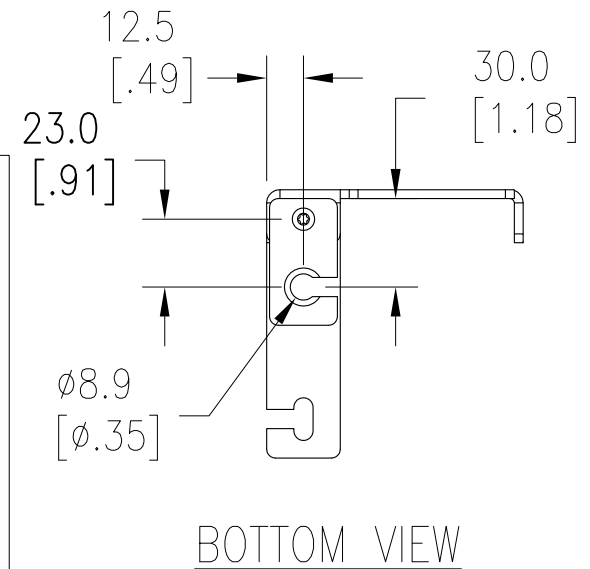
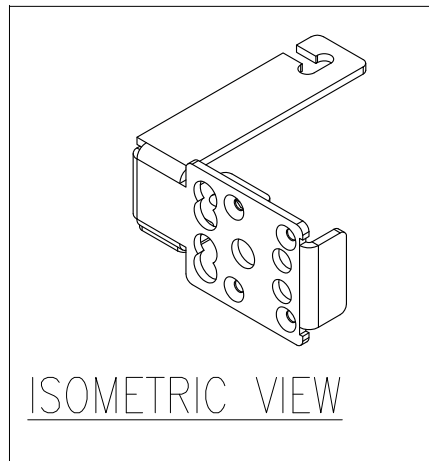
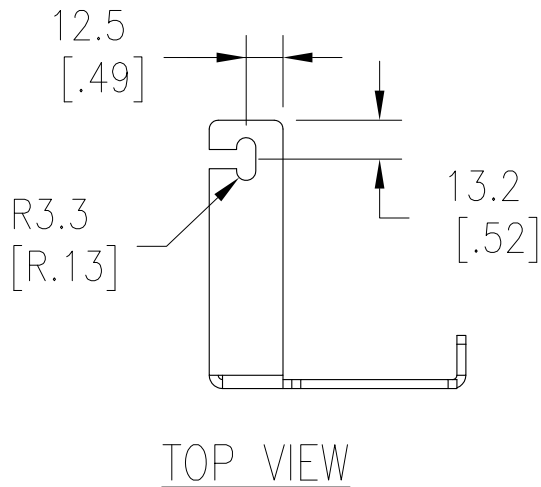
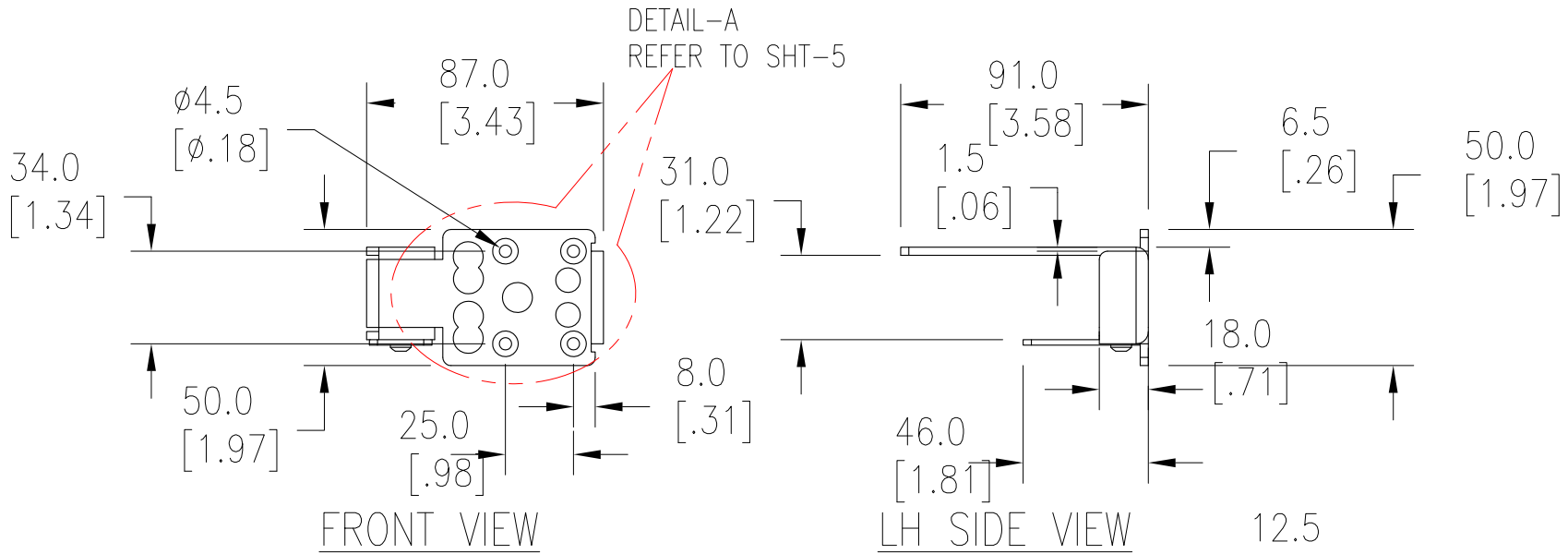
THIS DRAWING AND SPECIFICATIONS HEREIN ARE THE PROPERTY OF SCHNEIDER ELECTRIC AND SHALL NOT BE COPIED, REPRODUCED OR USED IN WHOLE OR IN PART, AS THE BASIS FOR THE MANUFACTURE OR SALE OF ITEMS WITHOUT WRITTEN PERMISSION FROM SCHNEIDER ELECTRIC. THIS DRAWING IS BASED UPON LATEST AVAILABLE INFORMATION AND IS SUBJECT TO CHANGE WITHOUT NOTICE.



TITLE:
Eco-Aisle (TM) Aisle Containment System
CEILING PANEL
ASSEMBLY-ACDC2001-2002
PROJECT: SUBMITTAL DRAWINGS SHEET 2 OF 5

DWG NO:	ACDC2000-2002	REV.	0
DRAWN BY:	K.NAGENDRA	06-JAN-14	FIRST
ENGINEER:	RUSTIN SHI/MARK MENG	06-JAN-14	ANGLE
APPROVED BY:	AARON GRAFF	06-JAN-14	PROJ

ASSEMBLY BRACKET LH RACK



NOTES:

1. COMPLY WITH ALL APPLICABLE NATIONAL AND LOCAL ELECTRICAL REGULATIONS.
2. REFER TO PRODUCT DOCUMENTATION FOR ADDITIONAL DETAILS PRIOR TO INSTALLATION AND SITE PREPARATION WORK.
3. ALL DIMENSIONS ARE IN MILLIMETERS [INCHES].

THIS DRAWING AND SPECIFICATIONS HEREIN ARE THE PROPERTY OF SCHNEIDER ELECTRIC AND SHALL NOT BE COPIED, REPRODUCED OR USED IN WHOLE OR IN PART, AS THE BASIS FOR THE MANUFACTURE OR SALE OF ITEMS WITHOUT WRITTEN PERMISSION FROM SCHNEIDER ELECTRIC. THIS DRAWING IS BASED UPON LATEST AVAILABLE INFORMATION AND IS SUBJECT TO CHANGE WITHOUT NOTICE.

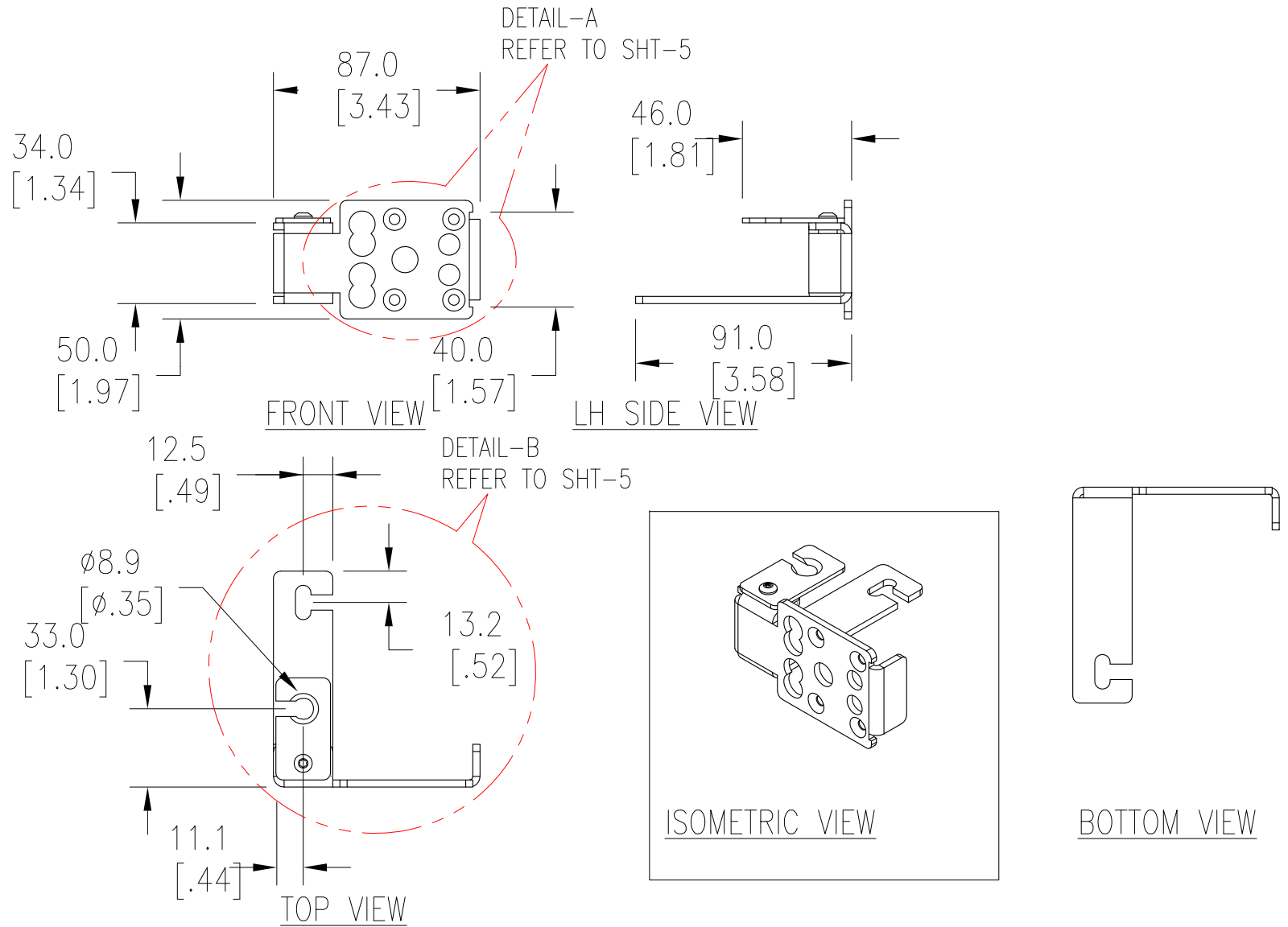


TITLE:
Eco-Aisle (TM) Aisle Containment System
CEILING PANEL
ASSEMBLY BRACKET-LH RACK

PROJECT: SUBMITTAL DRAWINGS SHEET 3 OF 5

DWG NO:	ACDC2000-2002	REV.	0
DRAWN BY:	K.NAGENDRA	06-JAN-14	FIRST
ENGINEER:	RUSTIN SHI/MARK MENG	06-JAN-14	ANGLE
APPROVED BY:	AARON GRAFF	06-JAN-14	PROJ

ASSEMBLY BRACKET RH RACK



NOTES:

1. COMPLY WITH ALL APPLICABLE NATIONAL AND LOCAL ELECTRICAL REGULATIONS.
2. REFER TO PRODUCT DOCUMENTATION FOR ADDITIONAL DETAILS PRIOR TO INSTALLATION AND SITE PREPARATION WORK.
3. ALL DIMENSIONS ARE IN MILLIMETERS [INCHES].

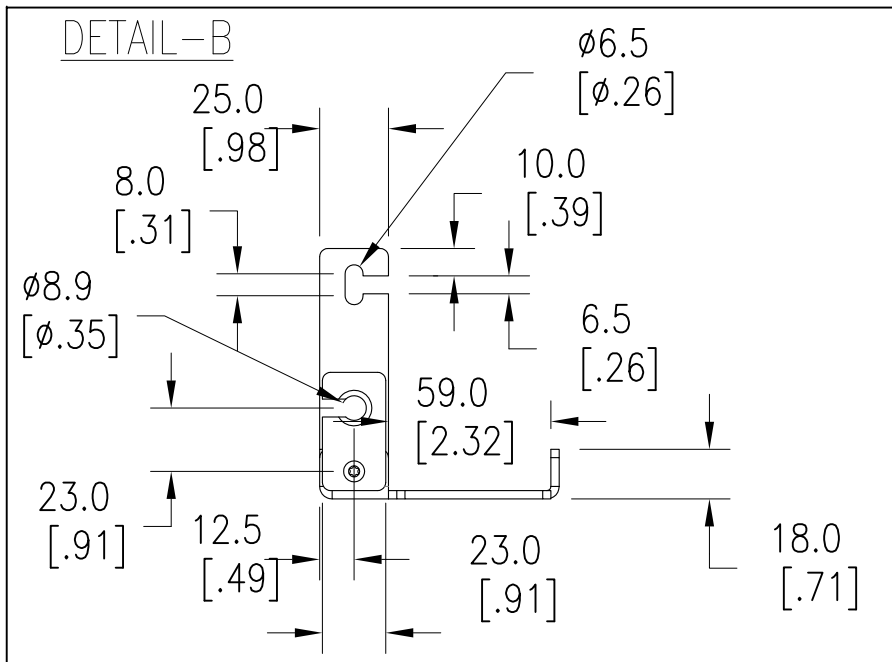
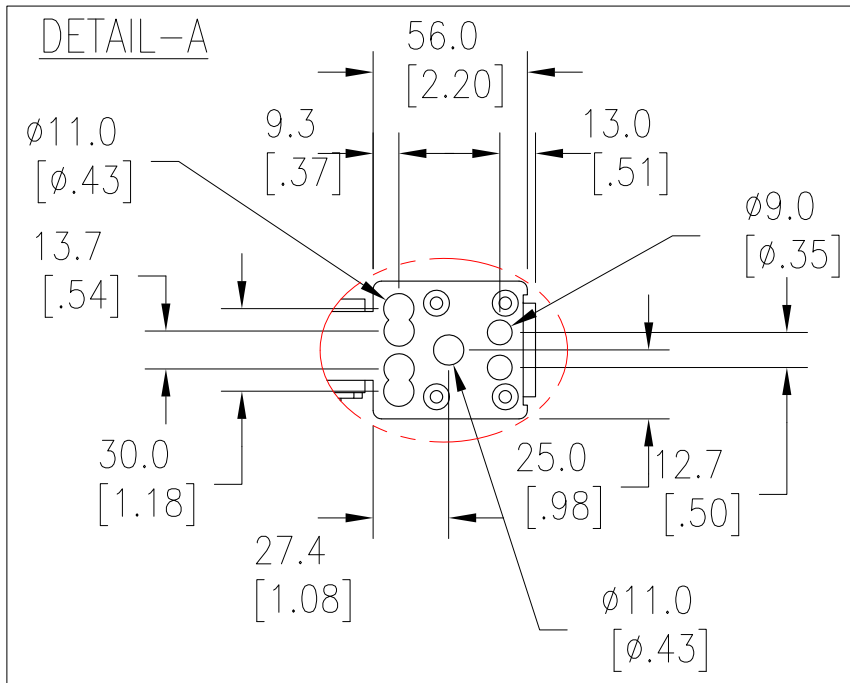
THIS DRAWING AND SPECIFICATIONS HEREIN ARE THE PROPERTY OF SCHNEIDER ELECTRIC AND SHALL NOT BE COPIED, REPRODUCED OR USED IN WHOLE OR IN PART, AS THE BASIS FOR THE MANUFACTURE OR SALE OF ITEMS WITHOUT WRITTEN PERMISSION FROM SCHNEIDER ELECTRIC. THIS DRAWING IS BASED UPON LATEST AVAILABLE INFORMATION AND IS SUBJECT TO CHANGE WITHOUT NOTICE.



TITLE:
 Eco-Aisle (TM) Aisle Containment System
 CEILING PANEL
 ASSEMBLY BRACKET-RH RACK

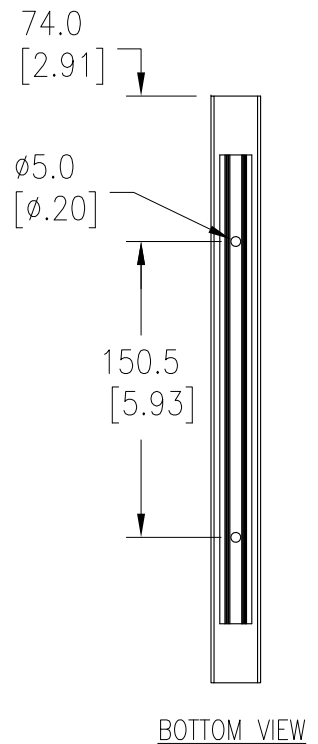
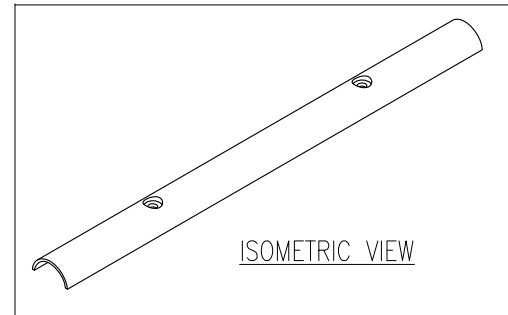
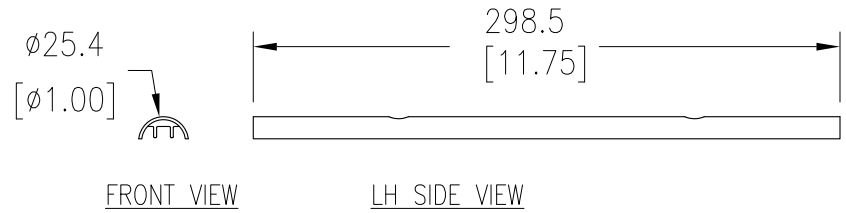
PROJECT: SUBMITTAL DRAWINGS SHEET 4 OF 5

DWG NO:	ACDC2000-2002	REV.	0
DRAWN BY:	K.NAGENDRA	06-JAN-14	FIRST
ENGINEER:	RUSTIN SHI/MARK MENG	06-JAN-14	ANGLE
APPROVED BY:	AARON GRAFF	06-JAN-14	PROJ



ACDC2000-2002

ALUMINIUM WIRING COVER



NOTES:

1. COMPLY WITH ALL APPLICABLE NATIONAL AND LOCAL ELECTRICAL REGULATIONS.
2. REFER TO PRODUCT DOCUMENTATION FOR ADDITIONAL DETAILS PRIOR TO INSTALLATION AND SITE PREPARATION WORK.
3. ALL DIMENSIONS ARE IN MILLIMETERS [INCHES].

THIS DRAWING AND SPECIFICATIONS HEREIN ARE THE PROPERTY OF SCHNEIDER ELECTRIC AND SHALL NOT BE COPIED, REPRODUCED OR USED IN WHOLE OR IN PART, AS THE BASIS FOR THE MANUFACTURE OR SALE OF ITEMS WITHOUT WRITTEN PERMISSION FROM SCHNEIDER ELECTRIC. THIS DRAWING IS BASED UPON LATEST AVAILABLE INFORMATION AND IS SUBJECT TO CHANGE WITHOUT NOTICE.



TITLE:
Eco-Aisle (TM) Aisle Containment System
CEILING PANEL
ALUMINIUM WIRING COVER

PROJECT: SUBMITTAL DRAWINGS SHEET 5 OF 5

DWG NO:	ACDC2000-2002	REV.	0
DRAWN BY:	K.NAGENDRA	06-JAN-14	FIRST
ENGINEER:	BUSTIN SHI/MARK MENG	06-JAN-14	ANGLE
APPROVED BY:	AARON GRAFF	06-JAN-14	PROJ