

# Installation Guide Smart-UPS<sup>TM</sup> On-Line External Battery Pack SRT96BP/72BP

## Important Safety Messages

Read the instructions carefully to become familiar with the equipment before trying to install, operate, service or maintain it. The following special messages may appear throughout this manual or on the equipment to warn of potential hazards or to call attention to information that clarifies or simplifies a procedure.



The addition of this symbol to a Danger or Warning safety label indicates that an electrical hazard exists which will result in personal injury if the instructions are not followed.



This is the safety alert symbol. It is used to alert you to potential personal injury hazards. Obey all safety messages that follow this symbol to avoid possible injury or death.

### **DANGER**

**DANGER** indicates a hazardous situation which, if not avoided, will result in death or serious injury.

### **WARNING**

**WARNING** indicates a hazardous situation which, if not avoided, could result in death or serious injury.

### **CAUTION**

**CAUTION** indicates a hazardous situation which, if not avoided, could result in minor or moderate injury.

### **NOTICE**

**NOTICE** is used to address practices not related to physical injury.

# Safety and General Information

- Adhere to all national and local electrical codes.
- Changes and modifications to this unit not expressly approved by APC by Schneider Electric could void the warranty.
- This unit is intended only for indoor use in a controlled environment.
- Do not operate this unit in direct sunlight, in contact with fluids, or where there is excessive dust or humidity.
- Be sure the air vents on the unit are not blocked. Allow adequate space for proper ventilation.
- The battery typically lasts for three to five years. Environmental factors impact battery life. Elevated ambient temperatures, poor quality mains power, and frequent short duration discharges will shorten battery life.
- The equipment is heavy. Always practice safe lifting techniques adequate for the weight of the equipment.
- The batteries are heavy. Remove the batteries before installing the UPS and external battery packs (XLBPs) in a rack.
- Always install XLBPs at the bottom in rack-mount configurations. The UPS must be installed above the XLBPs.
- The UPS will recognize as many as 10 XLBPs connected to the UPS.  
**Note: For each XLBP added, increased recharge time will be required.**
- Always recycle used batteries.
- Recycle the package materials or save them for reuse.
- Additional safety information can be found in the Safety Guide supplied with this unit.

## Battery safety

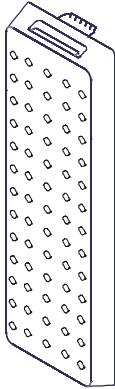

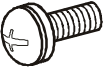
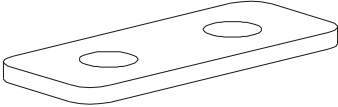


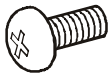
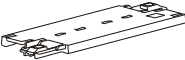

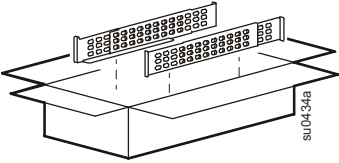
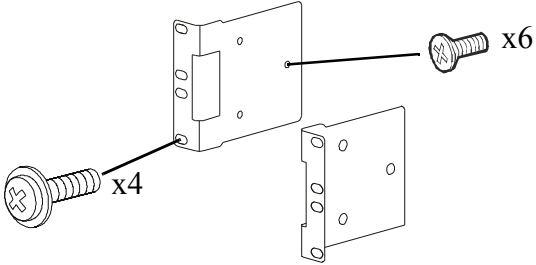
- Replace batteries with the same number and type of batteries as originally installed in the equipment.
- Schneider Electric uses Maintenance-Free sealed Lead Acid batteries. Under normal use and handling, there is no contact with the internal components of the battery. Over charging, over heating or other misuse of batteries can result in a discharge of battery electrolyte. Released electrolyte is toxic and may be harmful to the skin and eyes.
- CAUTION: Before installing or replacing the batteries, remove jewelry such as wristwatches and rings. High short circuit current through conductive materials could cause severe burns.
- CAUTION: Do not dispose of batteries in a fire. The batteries may explode.
- CAUTION: Do not open or mutilate batteries. Released material is harmful to the skin and eyes and may be toxic.

## Overview

- To verify that installation of an external battery pack (XLBP) has been successful, go to the UPS display interface.  
Perform a **Visible Alarm Test** to determine if the XLBP is recognized by the UPS.  
The LED on the XLBP will flash if successful communication has been established.
- When viewing the status of an XLBP on the UPS display interface screen, the LED on the corresponding XLBP will flash.
- When an RBC needs to be replaced, perform a **Runtime Calibration Test** to verify that battery replacement is required.

# Package Contents

Inspect the contents upon receipt. Notify the carrier and dealer if there is damage.

Included with all models			
<p>Front bezel</p> 	<p>Ground cable</p>  <p>2 pan head screws to secure the ground cable</p> 	<p>2 tie brackets</p>  <p>4 flat head screws to secure tie brackets</p> 	<p>User Documentation CD</p>  <p>1 pan head screw to secure the XLBP battery cable connector to an XLBP or to the UPS.</p> 
Included with Tower models only			
<p>Stabilizer brackets are supplied with the UPS models</p> <p>The XLBP includes 1 pair of stabilizer bracket connectors</p> 		<p>4 flat head screws to secure tower stabilizer brackets to the UPS</p> 	
Included with Rack-Mount models only			
<p>Rail Kit with instructions and hardware for installing rails in a rack</p> 	<ul style="list-style-type: none"> <li>• 1 pair rack-mount brackets</li> <li>• 6 flat head screws to secure rack-mount brackets to the UPS</li> <li>• 4 ornamental screws to secure rack-mount brackets to the rails</li> </ul> 		

# Specifications


For additional specifications, refer to the APC by Schneider Electric web site at [www.apc.com](http://www.apc.com).

## Environmental

<b>Temperature</b>	<b>Operating</b>	0° to 40° C (32° to 104° F)
	<b>Storage</b>	-15° to 45° C (5° to 113° F)
<b>Elevation</b>	<b>Operating</b>	0 - 3,000 m (0 - 10,000 ft)
	<b>Storage</b>	0 - 15,000 m (49,212 ft)
<b>Humidity</b>	0% to 95% relative humidity, non-condensing	
<b>Protection Class</b>	IP 20 rating	
<p><b>Note:</b> Charge the battery modules every six months during storage.            Environmental factors impact battery life. Elevated ambient temperatures, high humidity, poor quality mains power, and frequent short duration discharges will shorten battery life.</p>		

## Physical

The XLBP is heavy. Follow all lifting guidelines.

	SRT96BP	SRT96RMBP	SRT72BP	SRT72RMBP
<b>Lifting guidelines</b>	 32 - 55 kg (70 - 120 lb)			
<b>Unit weight batteries included, without packaging</b>	40.9 kg (90.2 lb)		34.6 kg (80.2 lb)	
<b>Unit weight batteries included, with packaging</b>	46.06 kg (101.5 lb)	48.86 kg (107.7 lb)	40.72 kg (89.8 lb)	43.52 kg (96 lb)
<b>Rack-mount unit dimensions without packaging Height x Width x Depth</b>	85 mm x 432 mm x 594mm 3.35 in x 17 in x 23.4 in			
<b>Unit dimensions with packaging Height x Width x Depth</b>	240 mm x 600 mm x 830 mm 9.4 in x 23.6 in x 32.7 in			
The model and serial numbers are on a small label located on the rear panel.				

## Battery

### NOTICE

#### RISK OF EQUIPMENT DAMAGE

- Replace the battery at least every 5 years.
- Replace the battery immediately when the UPS indicates battery replacement is necessary.

**Failure to follow these instructions can result in equipment damage**

<b>Battery type</b>	Maintenance free, leak proof, sealed, lead acid	
<b>Replacement battery module</b> This XLBP has swappable battery modules. Refer to the appropriate replacement battery user manual for installation instructions. Contact your dealer or go the APC by Schneider Electric web site, <a href="http://www.apc.com">www.apc.com</a> for information on replacement batteries.	SRT96BP	SRT72BP
	APCRBC152	APCRBC141
<b>Number of battery modules</b>	2 modules	2 modules
<b>Voltage for each battery module</b>	96 V	72 V
<b>Total voltage for the XLBP</b>		
<b>Ah rating</b>	5.1 Ah per battery module	
<b>Battery cable length</b>	500 mm (19.7 in)	

Battery Module	UPS	XLBP
APCRBC152	SRT3000XLx/SRT3000RMLx	SRT96BP/SRT96RMBP
APCRBC141	SRT2200XLx/SRT2200RMLx	SRT72BP/SRT72RMBP

# Remove Battery Modules

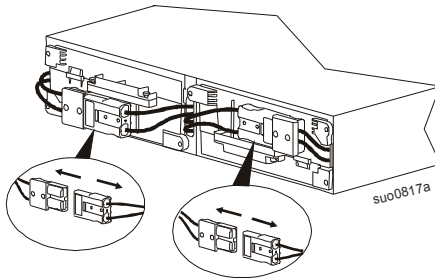
## ⚠ CAUTION

### RISK OF FALLING EQUIPMENT

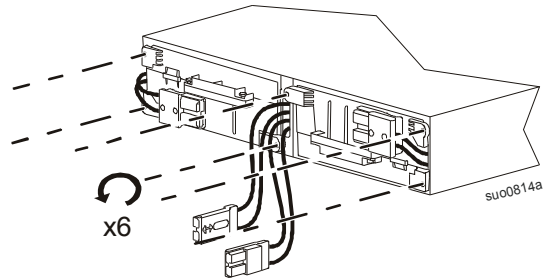
- Each APCRBC152 battery module weighs 16.4 kg (36.2 lb) and each APCRBC141 battery module weighs 12.5 kg (27.6 lb).
- Always practice safe lifting techniques adequate for the weight of the equipment.
- Remove the battery modules before installing the XLBP.
- Use the battery module handle to carefully slide the battery modules in or out of the XLBP.
- Do not use the battery module handle to lift or carry the battery module.

Failure to follow these instructions can result in equipment damage and minor or moderate injury.

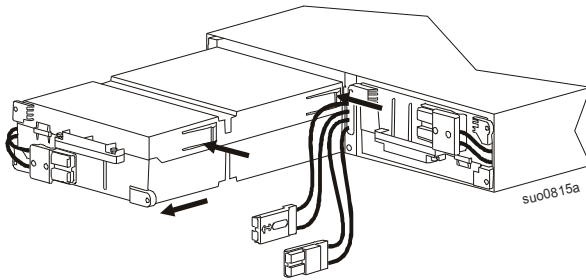
1



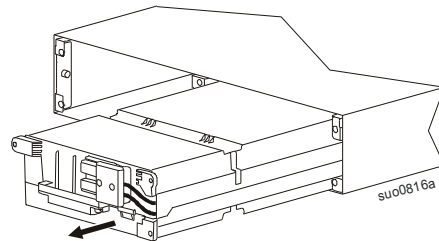
2



3



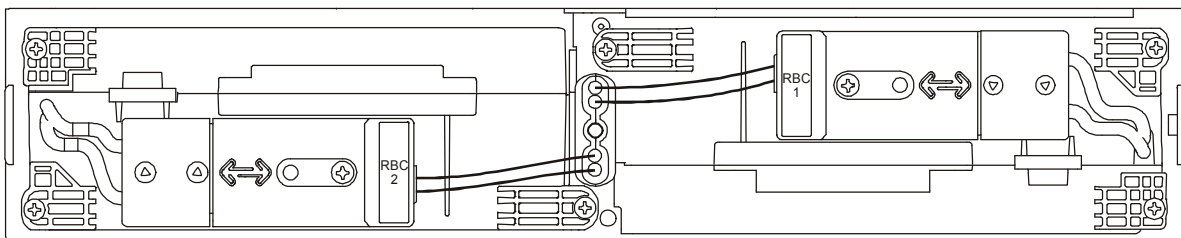
4



## XLBP Connectors Installation

Connect the XLBP connector, labeled RBC 1, to the right hand side (RHS) RBC in rack-mount installation and to the top RBC in tower installation, when viewed from front.

Connect the XLBP connector, labeled RBC 2, to the left hand side (LHS) RBC in rack-mount installation and to the bottom RBC in tower installation, when viewed from front.



# Rack-Mount Installation

UPS model may differ in appearance from those depicted in these graphics.  
The XLBP installation process is identical for all models.

Refer to the rail kit Installation Guide for instructions on rail installation.

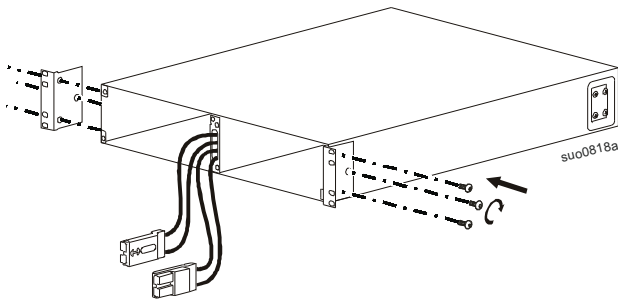
## CAUTION

### RISK OF FALLING EQUIPMENT

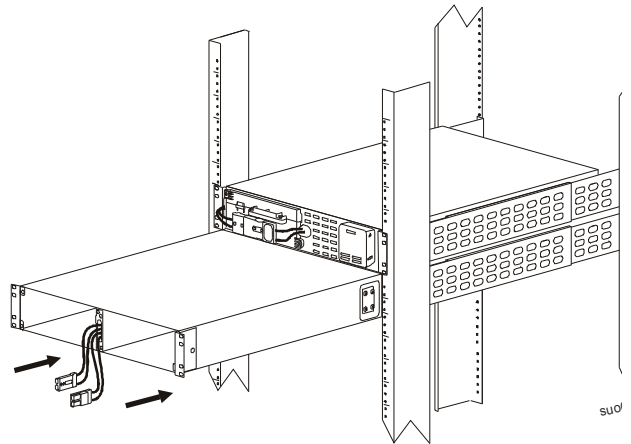
- The equipment is heavy. Always practice safe lifting techniques adequate for the weight of the equipment.
- Always use the recommended number of screws to secure brackets to the XLBP.
- Always use the recommended number of screws to secure the XLBP to the rack.
- Always install the XLBP at the bottom of the rack.
- Always install the XLBP below the UPS in the rack.
- Use the battery module handle to slide the battery modules in or out of the XLBP.
- Do not use the battery module handle to lift or carry the battery module.

**Failure to follow these instructions can result in equipment damage and minor or moderate injury.**

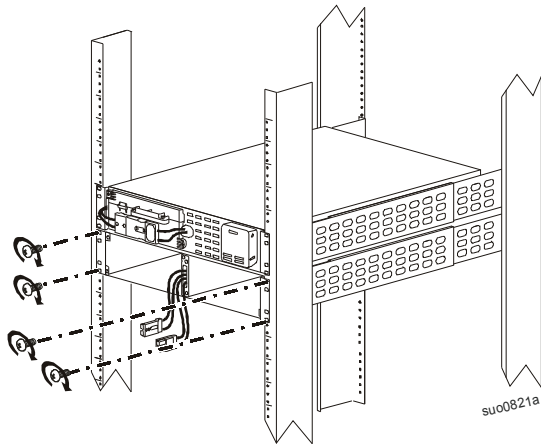
- 1 Secure two brackets to the XLBP.  
Use three screws in each bracket.



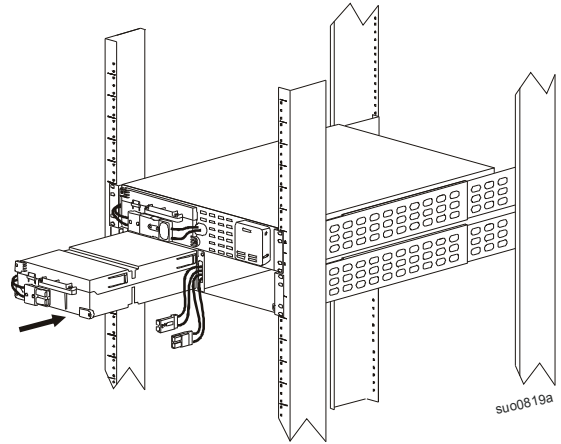
- 2 Rest the XLBP on the rail shelves.  
Slide the XLBP into the rack.



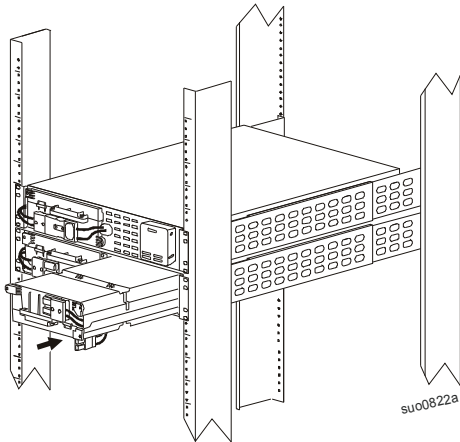
- 3 Secure the XLBP to the rack.  
Use two screws in each bracket.



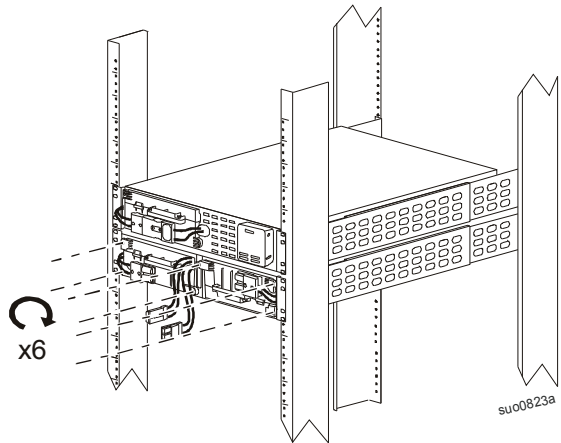
- 4 Slide the left hand side battery module into the XLBP.



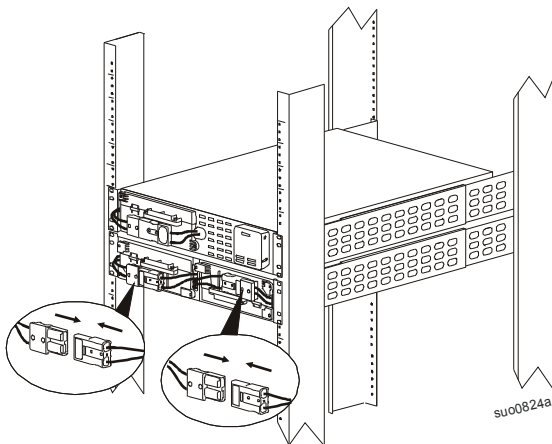
- 5 Slide the right hand side battery module into the XLBP.



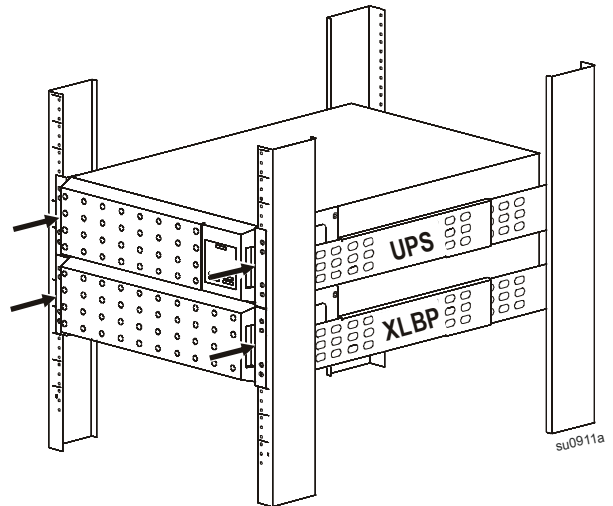
- 6 Secure the RBCs to the enclosure. Use three screws on each RBC.



- 7 Connect the two XLBP connectors from the enclosure to the two RBCs. See "XLBP Connectors Installation" on page 6.



- 8 Install one XLBP bezel and one UPS bezel.





# Tower Installation

## CAUTION

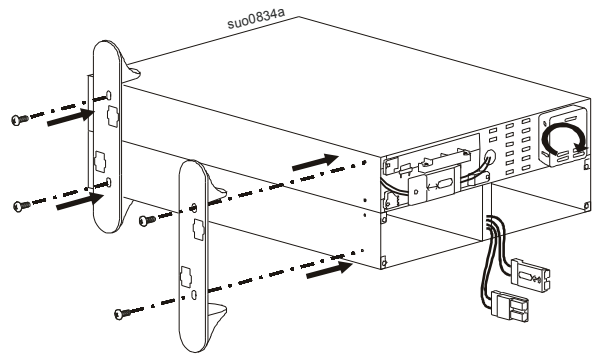
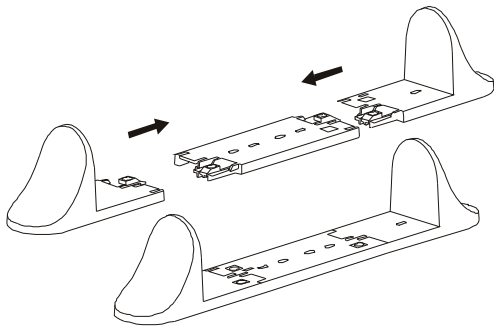
### RISK OF FALLING EQUIPMENT

- Prior to installing the tie brackets, select a location sturdy enough for the combined weight of the units.
- Do not move the units once the tie brackets are installed.
- Always install the XLBP and UPS models together in tower configuration.
- Always install stabilizer brackets when an XLBP and UPS models are installed together in tower configuration.

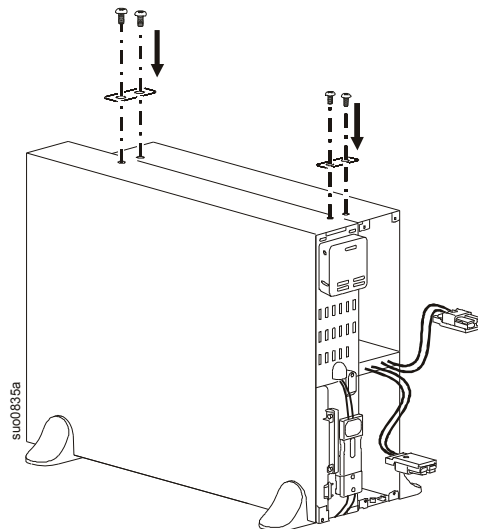
**Failure to follow these instructions can result in equipment damage and minor or moderate injury.**

### Stabilizer bracket installation

Stabilizer brackets are supplied with the UPS models.

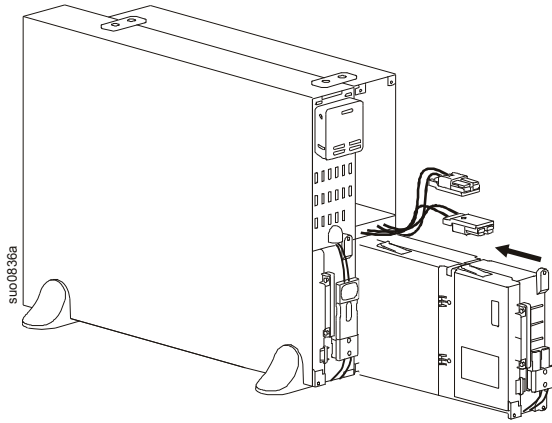


### Tie bracket installation

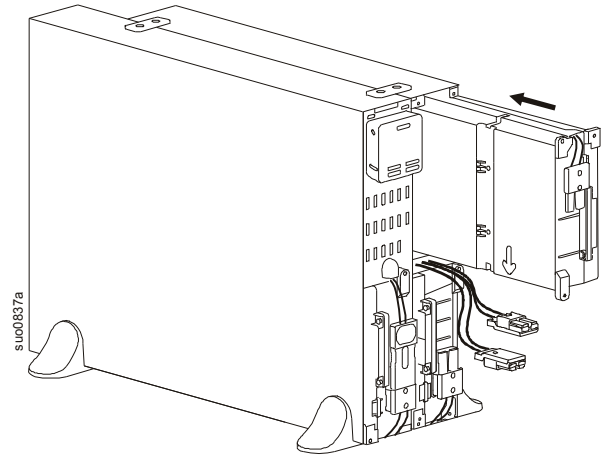


## Install battery modules and bezels

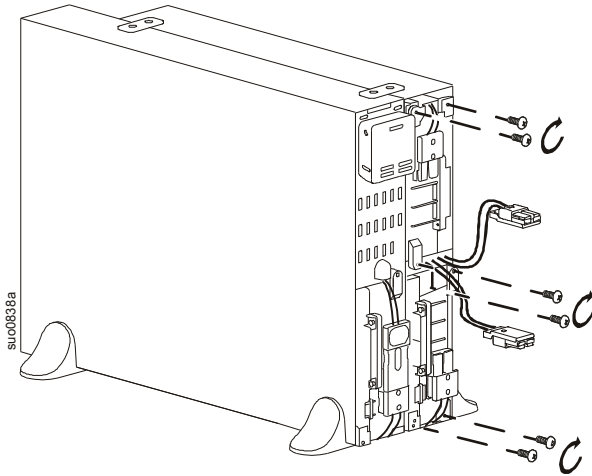
1 Slide the bottom side battery module into the XLBP.



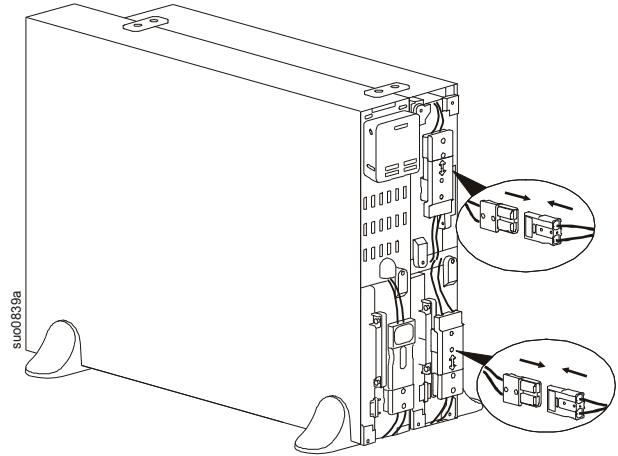
2 Slide the top side battery module into the XLBP.



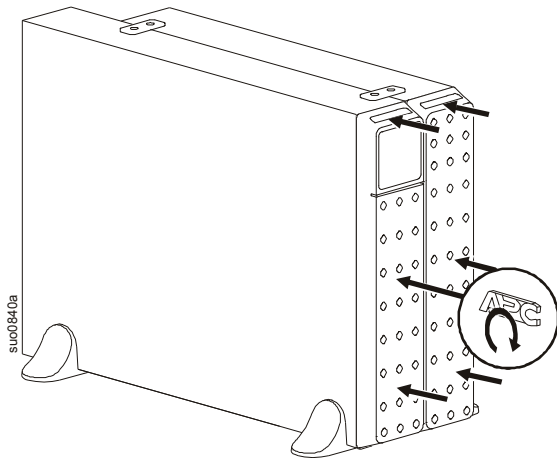
3 Secure the battery modules with the enclosure with 6 screws.



4 Connect the two XLBP connectors from the enclosure to the two RBCs. See "XLBP Connectors Installation" on page 6.

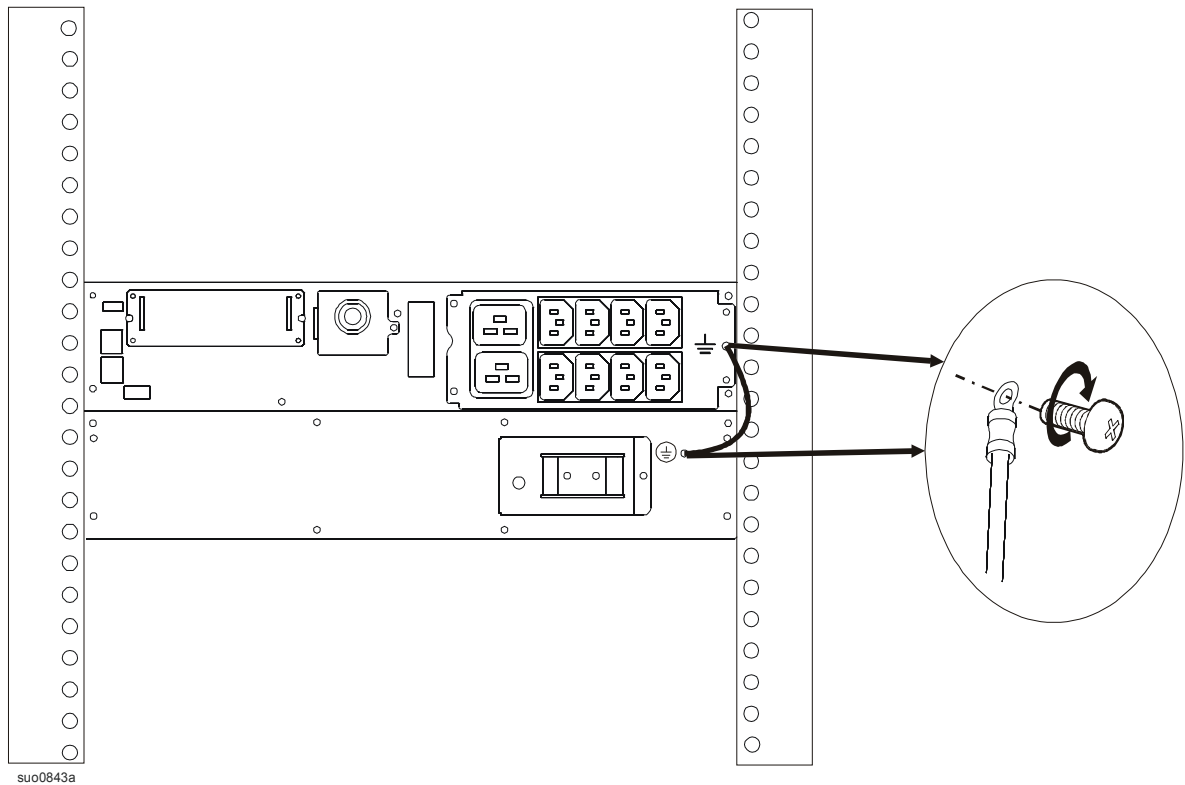


5 Install one XLBP bezel and one UPS bezel.



# Connect Battery and Ground Cables

## Connect ground cables

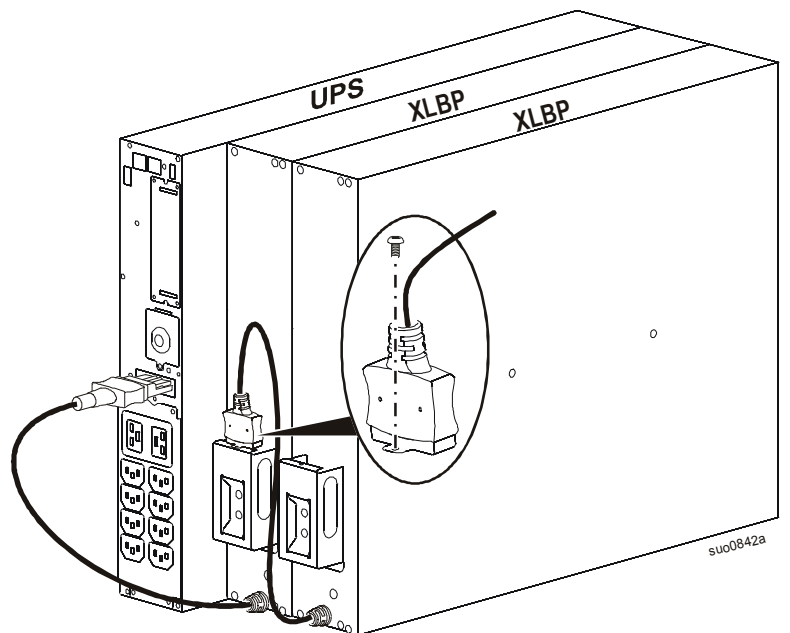


## Connect external battery pack cables

The UPS external battery pack connector has a cover, secured with a screw.

Remove the screw and the cover.

Connect the external battery pack.



# Smart Battery Management

## Definitions

- **Replaceable Battery Cartridge (RBC):** An APC by Schneider Electric battery cartridge consisting of a string of battery cells arranged to provide a battery assembly with a connector. Replacement RBCs can be ordered from the APC by Schneider Electric web site, [www.apc.com](http://www.apc.com).
- **Smart External Battery Pack (XLBP):** An enclosure that contains RBC(s) and battery management electronics.
- **User Interface (UI):** Any interface by which a user can interact with the system. This may include a UPS display interface, a network management interface or PowerChute™ Network Shutdown software.

**NOTE: Do not use a battery that is not APC by Schneider Electric approved.**

**The system will not detect the presence of a non APC by Schneider Electric approved battery and may adversely affect the operation of the system.**

**Use of a non APC by Schneider Electric approved battery will void the manufacturer warranty.**

## Maintenance

- **RBC maintenance:** The APC by Schneider Electric RBC uses sealed lead acid battery cells and does not require maintenance.
- **Runtime Test (Calibration):** This should be performed anytime the steady state load is changed significantly, for example a new server is added to or removed from the UPS load.
- **Battery health monitoring:** The battery energy output and voltage are monitored to assess the health of the installed batteries when the UPS is operating on battery.  
Battery health monitoring is done during a **UPS Self Test**, a **Runtime Calibration Test**, and when the UPS is operating on battery power.  
The UPS can be configured to perform periodic, automatic **Self Tests**.

## End of useful life

- **Near end of life notification:** A message will appear on the UPS display interface screen when each RBC is approaching the end of its useful life. For configuration details refer to **Replacement Notification Time** and **Replacement Battery Alarm Time** in the UPS Operation Manual.  
The estimated replacement date for each RBC is available through the UI.
- **Needs replacement notification:** The UPS display interface screen shows when RBC replacement is required. The RBC must be replaced as soon as possible.  
When an RBC requires replacement, the UPS display interface may recommend that additional RBCs be replaced if they will soon reach the end of their useful life.

**Note: Continued operation after end of useful life notification may cause damage to the batteries.**

- **Recycling:** Remove the RBC from the XLBP. Recycle the RBC. Do not disassemble an RBC.

## Recommended actions after installing new RBCs or XLBPs

Refer to the UPS Operation Manual for details on **Test and Diagnostics Menu** options for the following tests:

- Self Test
- Runtime Test
- Visible Alarm Test

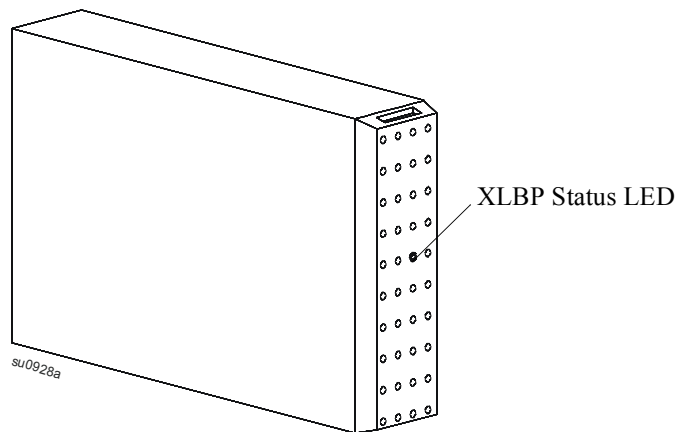
The following actions should be performed after installing a new RBC or XLBP:

- Verify that the UPS is connected to input power and output power is turned on.
- When a new XLBP is installed, verify that the XLBP is detected by the system.
  - Perform a UPS **Visible Alarm Test**.
  - Check that the LED on all installed XLBPs continuously flash.
- To verify that installation of a replacement battery cartridge (RBC), has been successful, go to the UPS display interface. Use the Status menus to verify that the UPS recognizes the RBCs.
- Verify that the UPS load is greater than 400 watts. This can be verified through the UPS display interface.
- Perform a UPS **Self Test**.
- If at the time of XLBP installation UPS input power is not available, turn on the UPS output from battery power for 30 seconds. This will allow the UPS to detect all installed RBCs. Refer to the UPS Operation Manual for instructions on how to turn the UPS on and off.
- Verify on the UPS display interface that the installation dates for the replaced RBCs are set to the current date. The installation dates can be changed manually on the UPS display interface. If all RBCs have been replaced at the same time, all installation dates can be changed simultaneously. For configuration details refer to **Battery Install Date** in the UPS Operation Manual.
- Allow the system to charge for 24 hours to ensure full runtime capability.
- Initiate a **Runtime Calibration Test** through the UI.

## User interface

**View notifications:** The status of connected XLBPs can be viewed using the UPS display interface menu options.

- **XLBP Status LED:** The XLBP LED illuminates red to indicate three possible states.
  - **Off:** No message. This is the default state.
  - **Solid red:** XLBP cannot communicate with the UPS. The XLBP controller is not functional.
  - **Flashing red:**
    - For identification purposes each XLBP is automatically assigned a number. To verify the number of a specific XLBP, use the UPS display interface menu options. Select an XLBP number. The LED will flash on the XLBP assigned to that number.
- **XLBP LED test:** From the UPS display interface, LED functionality can be tested by executing a **Visible Alarm Test**. This command causes the LED on each connected XLBP to flash.
- **System interfaces:** Battery status, alerts, and measurements are shown on the UPS display interface screen. Refer to the UPS Operation Manual.



# Troubleshooting

Issues	Possible Cause	Solution
XLBP LED flashes.	<ul style="list-style-type: none"> <li>• The UPS display interface is requesting XLBP status</li> <li>• <b>Visible Alarm Test</b> has been requested by the UPS</li> <li>• Indicates that an RBC needs to be replaced</li> </ul>	<ul style="list-style-type: none"> <li>• No action is necessary.</li> <li>• No action is necessary.</li> <li>• Refer to the UPS display interface screen for information.</li> </ul>
XLBP LED remains illuminated	XLBP has detected a potential hardware error	<ul style="list-style-type: none"> <li>• Contact APC by Schneider Electric Customer Support. Refer to the <b>Service</b> section in the Operation Manual for contact information.</li> </ul>
UPS display interface shows an RBC disconnected message.	<ul style="list-style-type: none"> <li>• RBC is not connected</li> <li>• XLBP has detected an RBC hardware error</li> </ul>	<p>Connect the RBCs. Verify that the UPS recognizes the RBCs.</p> <p>Perform a <b>UPS Self Test</b>.</p> <p>If the message remains on the display interface screen replace the RBC.</p>
XLBP is not recognized.	<ul style="list-style-type: none"> <li>• XLBP has detected a communication issue</li> <li>• XLBP has detected a potential hardware error</li> </ul>	<ul style="list-style-type: none"> <li>• Be sure the battery connections to the XLBPs are secure.</li> <li>• Be sure the connection between the XLBPs and the UPS are secure.</li> <li>• Perform a <b>Visible Alarm Test</b> to verify that the LED flashes.</li> <li>• If the detected issue persists, contact APC by Schneider Electric Customer Support. Refer to the <b>Service</b> section in the Operation Manual for contact information.</li> </ul>
UPS display interface shows XLBP disconnected message.	<ul style="list-style-type: none"> <li>• Power cable is not securely connected to an XLBP or to the UPS</li> <li>• XLBP has detected a hardware error</li> </ul>	<ul style="list-style-type: none"> <li>• Be sure the battery connections to the XLBPs are secure.</li> <li>• Perform a <b>Visible Alarm Test</b> to verify that the LED flashes.</li> <li>• If the detected issue persists, contact APC by Schneider Electric Customer Support. Refer to the <b>Service</b> section in the Operation Manual for contact information.</li> </ul>

# Limited Factory Warranty

Schneider Electric IT Corporation (SEIT), warrants its products to be free from defects in materials and workmanship for a period of two (2) years from the date of purchase. The SEIT obligation under this warranty is limited to repairing or replacing, at its own sole option, any such defective products. Repair or replacement of a defective product or parts thereof does not extend the original warranty period.

This warranty applies only to the original purchaser who must have properly registered the product within 10 days of purchase. Products may be registered online at [warranty.apc.com](http://warranty.apc.com).

SEIT shall not be liable under the warranty if its testing and examination disclose that the alleged defect in the product does not exist or was caused by end user's or any third person's misuse, negligence, improper installation, testing, operation or use of the product contrary to SEIT recommendations or specifications. Further, SEIT shall not be liable for defects resulting from: 1) unauthorized attempts to repair or modify the product, 2) incorrect or inadequate electrical voltage or connection, 3) inappropriate on site operation conditions, 4) Acts of God, 5) exposure to the elements, or 6) theft. In no event shall SEIT have any liability under this warranty for any product where the serial number has been altered, defaced, or removed.

**EXCEPT AS SET FORTH ABOVE, THERE ARE NO WARRANTIES, EXPRESS OR IMPLIED, BY OPERATION OF LAW OR OTHERWISE, APPLICABLE TO PRODUCTS SOLD, SERVICED OR FURNISHED UNDER THIS AGREEMENT OR IN CONNECTION HERewith.**

**SEIT DISCLAIMS ALL IMPLIED WARRANTIES OF MERCHANTABILITY, SATISFACTION AND FITNESS FOR A PARTICULAR PURPOSE.**

**SEIT EXPRESS WARRANTIES WILL NOT BE ENLARGED, DIMINISHED, OR AFFECTED BY AND NO OBLIGATION OR LIABILITY WILL ARISE OUT OF, SEIT'S RENDERING OF TECHNICAL OR OTHER ADVICE OR SERVICE IN CONNECTION WITH THE PRODUCTS.**

**THE FOREGOING WARRANTIES AND REMEDIES ARE EXCLUSIVE AND IN LIEU OF ALL OTHER WARRANTIES AND REMEDIES. THE WARRANTIES SET FORTH ABOVE CONSTITUTE SEIT'S SOLE LIABILITY AND PURCHASER'S EXCLUSIVE REMEDY FOR ANY BREACH OF SUCH WARRANTIES. SEIT WARRANTIES EXTEND ONLY TO ORIGINAL PURCHASER AND ARE NOT EXTENDED TO ANY THIRD PARTIES.**

**IN NO EVENT SHALL SEIT, ITS OFFICERS, DIRECTORS, AFFILIATES OR EMPLOYEES BE LIABLE FOR ANY FORM OF INDIRECT, SPECIAL, CONSEQUENTIAL OR PUNITIVE DAMAGES, ARISING OUT OF THE USE, SERVICE OR INSTALLATION OF THE PRODUCTS, WHETHER SUCH DAMAGES ARISE IN CONTRACT OR TORT, IRRESPECTIVE OF FAULT, NEGLIGENCE OR STRICT LIABILITY OR WHETHER SEIT HAS BEEN ADVISED IN ADVANCE OF THE POSSIBILITY OF SUCH DAMAGES. SPECIFICALLY, SEIT IS NOT LIABLE FOR ANY COSTS, SUCH AS LOST PROFITS OR REVENUE, WHETHER DIRECT OR INDIRECT, LOSS OF EQUIPMENT, LOSS OF USE OF EQUIPMENT, LOSS OF SOFTWARE, LOSS OF DATA, COSTS OF SUBSTITUANTS, CLAIMS BY THIRD PARTIES, OR OTHERWISE.**

**NOTHING IN THIS LIMITED WARRANTY SHALL SEEK TO EXCLUDE OR LIMIT SEIT'S LIABILITY FOR DEATH OR PERSONAL INJURY RESULTING FROM ITS NEGLIGENCE OR ITS FRAUDULENT MISREPRESENTATION OF TO THE EXTENT THAT IT CANNOT BE EXCLUDED OR LIMITED BY APPLICABLE LAW.**

To obtain service under warranty you must obtain a Returned Material Authorization (RMA) number from customer support. Customers with warranty claims issues may access the SEIT worldwide customer support network through the APC by Schneider Electric web site: [www.apc.com](http://www.apc.com). Select your country from the country selection drop down menu. Open the Support tab at the top of the web page to obtain information for customer support in your region. Products must be returned with transportation charges prepaid and must be accompanied by a brief description of the problem encountered and proof of date and place of purchase.

# APC by Schneider Electric Worldwide Customer Support

Customer support for this or any other APC by Schneider Electric product is available at no charge in any of the following ways:

- Visit the APC by Schneider Electric web site to access documents in the APC by Schneider Electric Knowledge Base and to submit customer support requests.
  - **www.apc.com** (Corporate Headquarters)  
Connect to localized APC by Schneider Electric web sites for specific countries, each of which provides customer support information.
  - **www.apc.com/support/**  
Global support searching APC by Schneider Electric Knowledge Base and using e-support.
- Contact APC by Schneider Electric Customer Support Center by telephone or e-mail.
  - Local, country specific centers: go to **www.apc.com/support/contact** for contact information.
  - For information on how to obtain local customer support, contact the APC by Schneider Electric representative or other distributor from whom you purchased your APC by Schneider Electric product.