

# Network Management Card Modbus Documentation Addendum

## Overview

The American Power Conversion® AP9635 Network Management Card 2 (NMC) supports the Modbus interface standard when connecting to a Building Management System. Details of the Modbus standard can be found at <http://modbus.org>.

This document details the methods for configuring the Modbus settings for the NMC.

For details on Modbus register settings, see the Modbus register map document for your specific Modbus-enabled device.

## Configuring Modbus in the Web Interface

**Path: Administration > Network > Modbus > serial (or TCP)**

Enable or disable access to the Modbus serial or TCP interface by selecting or clearing the **Enable** check box.

Set the connection parameters for the Modbus connection - a port number for the TCP connection, or the parameters for the serial connection. The default serial connection settings are 19200 baud, 1 start bit, 8 data bits, even parity, and 1 stop bit.



If you select **None**, the Modbus master should be set to use 2 stop bits. For **Even** or **Odd**, use 1 stop bit.

Set the unique ID for the device by providing a value in the **Target Unique ID** field. The value must be between 1 and 247 (inclusive).

When you are finished making your selections, click **Apply** to save your changes.

## Configuring Modbus on the Command Line

### modbus

**Access:** Administrator only

**Description:** Manually configure these Modbus settings for the Management Card:

Option	Argument	Description
-p		Display the configured Modbus parameters.
-a	enable   disable	Enable or disable the Modbus feature.
-br	9600   19200	Set the baud rate.

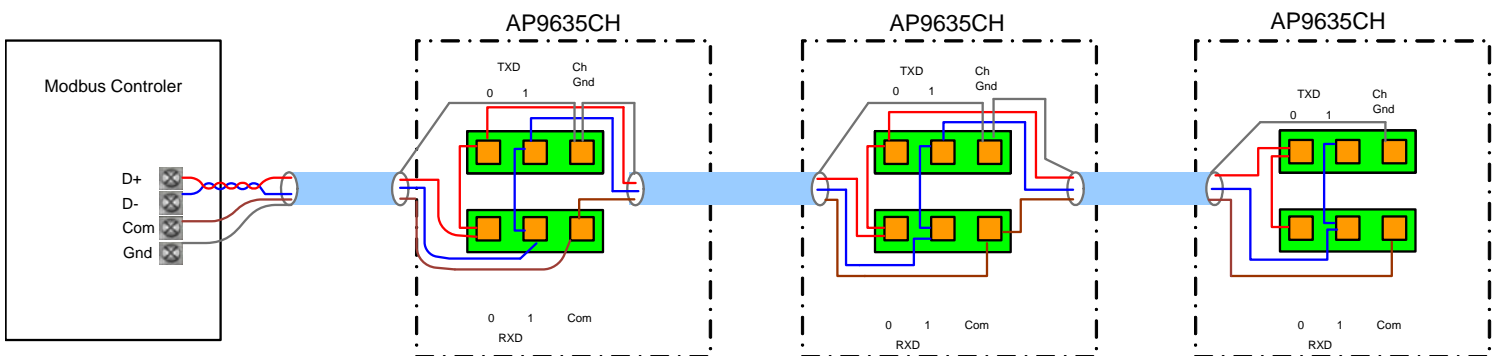
Option	Argument	Description
-pr	even   odd   none	Set the parity bit.
-s	<slave # in hex>	Set the Modbus slave address.
-o	master   slave	Define the mode of operation for the Modbus feature.
-rt	<timeout in mSec>	Set the response timeout in milliseconds for query packets in Master mode.
-sr	<scan rate in mSec>	Set the scan rate for query packets in Master mode.
-rep	<# of repetitions>	Set the number of repetitions for query packets in Master mode.
-resetToDef		Reset the Modbus settings to their default values.

## Modbus Wiring Diagrams

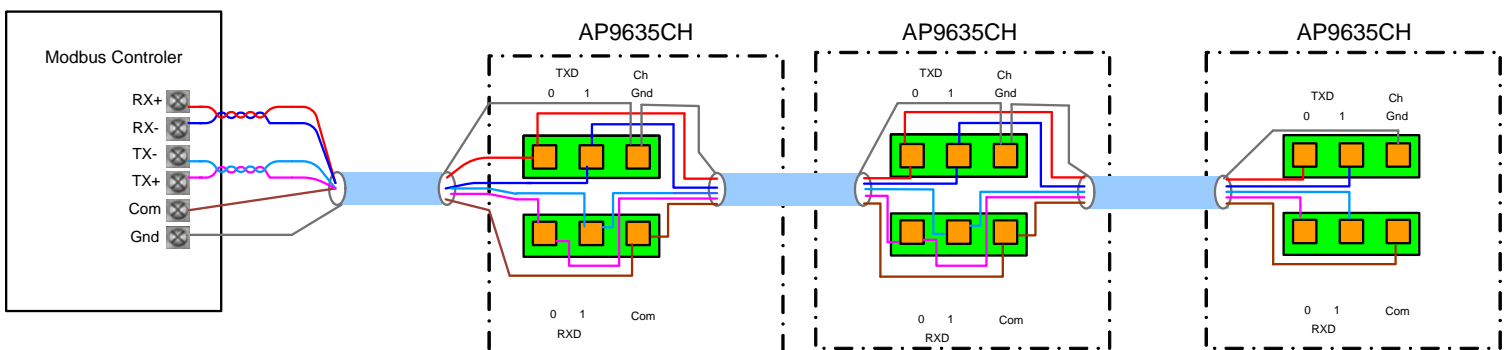
shielded twisted pair cable should be used



### 2-wire configuration



### 4-wire configuration



Customer support and warranty information is available at the APC Web site, [www.apc.com](http://www.apc.com).

© 2014 APC by Schneider Electric. APC, Schneider Electric and the Schneider Electric logo are owned by Schneider Electric Industries S.A.S., American Power Conversion Corporation, or their affiliated companies. All other trademarks are property of their respective owners.

990-3939  
1-2014