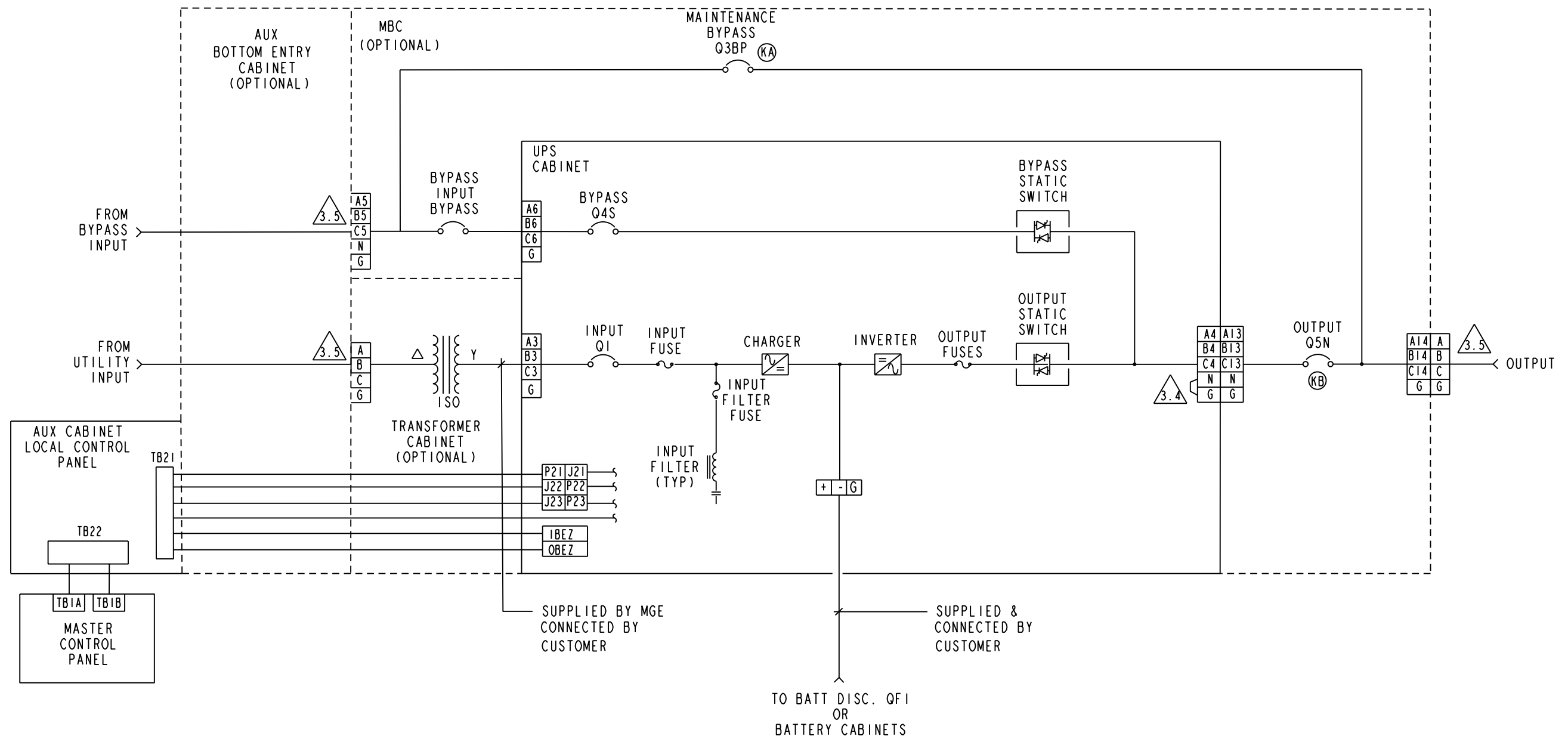


EPS 7000 300-500kVA WITH LCP SINGLE LINE DIAGRAM



- 3.1 FOLLOW THE NEC (NATIONAL ELECTRICAL CODE) AND OTHER APPLICABLE LOCAL CODES.
- 3.2 CUSTOMER IS RESPONSIBLE FOR CONNECTING ALL MGE-SUPPLIED CABLES AND WHERE INDICATED, IS RESPONSIBLE TO PROVIDE SOME CABLE. BATTERY VOLTAGE DROP SHALL BE KEPT TO LESS THAN 1% BASED ON THE BATTERY DISCONNECT RATING.
- 3.3 INPUT AND BYPASS SHALL NOT BE PROVIDED FROM A CORNER-GROUNDED DELTA SYSTEM.
- 3.4 THE UPS IS EQUIPPED WITH THIS BONDING JUMPER TO MEET NEC ARTICLE 250-5 (D) AND 250-26. REFER TO MGE DOCUMENT 9110000.000 FOR THE USE OR REMOVAL OF THIS JUMPER.
- 3.5 ALL INPUT AND OUTPUT CONNECTIONS ARE ROUTED THROUGH THE BOTTOM ENTRY CABINET (WHEN PRESENT).

NOTES: UNLESS OTHERWISE SPECIFIED.

SIZE B	FSCM NO. 9L985	DWG. NO. 90-132112-00	REV. A04
SCALE 0.048		90-132112-00-A04.1+	SHEET 3 OF 9