

APC Multiple Outlet Power Strip

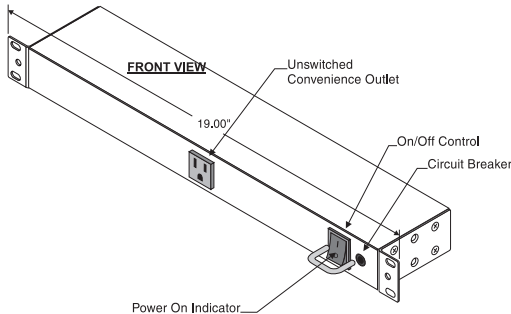
SAVE THESE INSTRUCTIONS!

Thank you for selecting the Multiple Outlet Power Strip from American Power Conversion! Please complete and return the enclosed warranty registration card or register online at www.apcc.com.

The APC Multiple Outlet Power Strip is designed to address the need for convenient access to additional unprotected outlets in rack configurations. Its multi-positional bracket allows for several mounting options including 0 “U” mounting flexibility. The Multiple Outlet Strip does not provide direct power protection, however it can be plugged into an uninterruptible power supply (UPS) to protect connected devices from power interruptions.

Additional features of the Multiple Outlet Strip include:

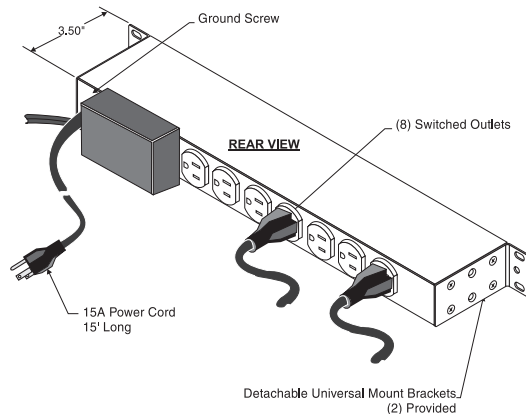
- Nine outlets including one “always on” outlet for equipment that requires constant power
- A guarded on/off switch to prevent accidental “turn-off”
- A lifetime product warranty



Important Safety, Grounding & Installation Instructions

Before installation, read and understand the following safety instructions.

- The Multiple Outlet Power Strip is intended for indoor use only. Do not install this product where excessive moisture or heat is present.
- Never install any wiring or products during a lightning storm.
- Plug the Multiple Outlet Power Strip into a three wire, grounded outlet only.
- The Multiple Outlet Power Strip was designed to be mounted in a variety of orientations within an equipment rack. Brackets with multiple hole patterns easily accommodate installation in both a horizontal or vertical orientation. (See diagrams below and at right.)
- Do not use extension cords and adapters with this product.
- The *Switch Guard* prevents accidental “turn off”.
- An *Unswitched Convenience Outlet* on the front of the unit is always powered. It provides power for various test equipment that is not normally part of the rack system.
- A *15' Power Cord* allows for convenient placement of rack system.



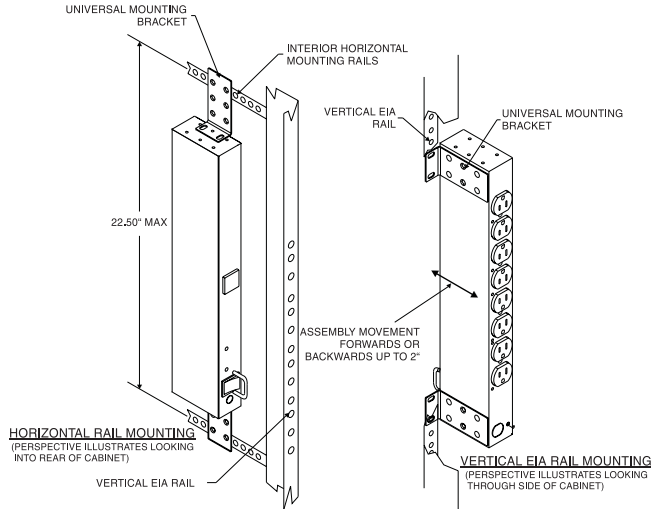
Operation

- The *On/Off Control* regulates power to the eight *Switched Outlets*. It can be used as a master system switch. The *On/Off Control* is normally illuminated when the switch is set to the On position. This indicates that power is being supplied to the *Switched Outlets*.
- The *Circuit Breaker* is tripped when the button is extended. This means that the power strip is overloaded and at least one piece of equipment needs to be unplugged. The circuit breaker is rated to trip at the same overload as most home and office utility service branch protectors (15 Amps).

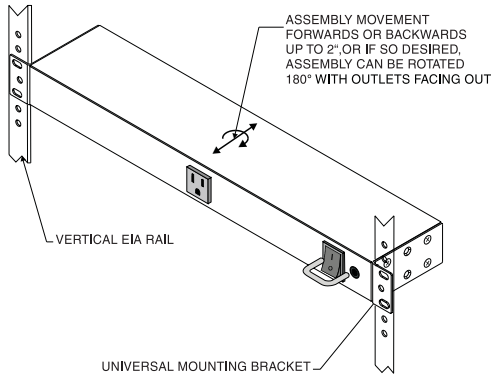
Mounting Procedures

Study the diagrams below for rack mounting options. All necessary brackets and screws are provided.

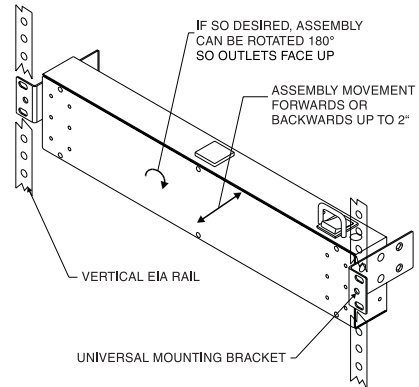
MULTIPLE OUTLET POWER STRIP VERTICAL MOUNTING OPTIONS



MULTIPLE OUTLET POWER STRIP HORIZONTAL MOUNTING OPTIONS



MULTIPLE OUTLET POWER STRIP REVERSE MOUNTING OPTION



Limited Warranty

American Power Conversion offers a lifetime product warranty (US and Canada only) on the APC Multiple Outlet Power Strip. APC warrants its products to be free from defects in materials and workmanship under normal use and service for the lifetime of the original purchaser. Its obligation under this warranty is limited to repairing or replacing, at its sole option, any such defective products. To obtain service under warranty you must obtain a Return Material Authorization (RMA) number from APC (www.apcc.com or 1-800-800-4APC) or an APC Service Center. The Multiple Outlet Power Strip must be returned with an RMA number, with transportation charges prepaid and it must be accompanied by a brief description of the problem and proof of date and place of purchase. This warranty applies only to the original purchaser.

American Power Conversion

132 Fairgrounds Road
West Kingston, Rhode Island 02892
USA

Toll free: (800)800-4APC
Phone: (401)789-5735
Fax: (401)789-3710

